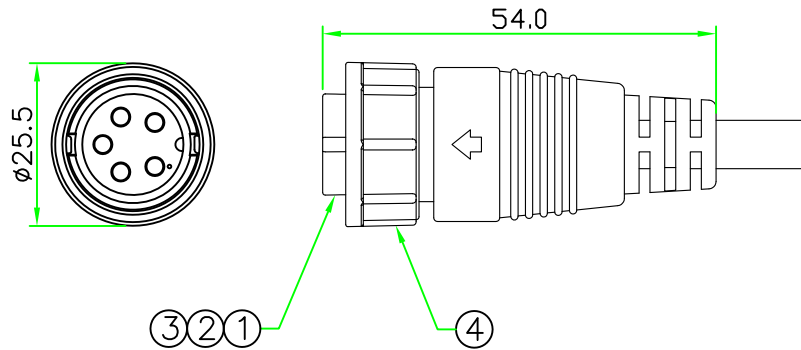


RoHS

IP66~68

REV.	DESCRIPTION	DATE
A	ISSUE	Jan/16/2015



NOTES:

1. ELECTRICAL CHARACTERISTICS:

CURRENT RATING: 2A / 5A / 10A / 20A

CONNECTOR TEMPERATURE RANGE: -20°C TO +80°C

DIELECTRIC WITHSTANDING VOLTAGE:

500V AC FOR ONE MINUTE

2. HOW TO ORDER: CCx-P2xxSM

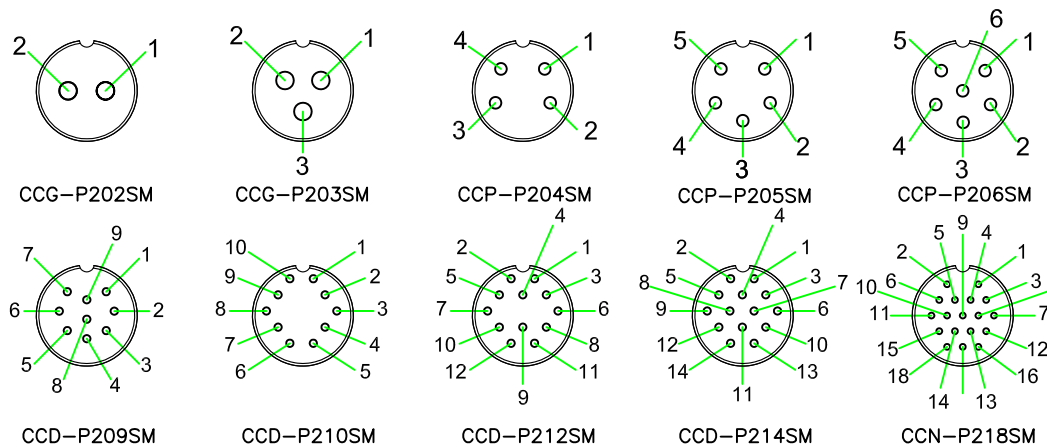
- 02 - 2 PIN
- 03 - 3 PIN
- 04 - 4 PIN
- 05 - 5 PIN
- 06 - 6 PIN
- 09 - 9 PIN
- 10 - 10 PIN
- 12 - 12 PIN
- 14 - 14 PIN
- 18 - 18 PIN

G - CURRENT RATING 20A

P - CURRENT RATING 10A

D - CURRENT RATING 5A


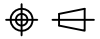
N - CURRENT RATING 2A



PIN ASSIGNMENT FRONT VIEW

(前視圖)

4	SCREW NUT	NYLON+GF	BLACK	1	
3	O-RING	Silicon.	BLACK	1	
2	CONTACT	Brass , 6 u" Gold Plated .Female Contact.		N	
1	CONNECTOR	C Size Female Connector Insert.NYLON+GF.	BLACK	1	
No.	PART NAME	DESCRIPTION	COLOR	Q'TY	REMARKS

	
	UNIT: mm SCALE: 1:1
TITLE : Circular C Size Female Screw Type Molded Cable	
UNLESS OTHERWISE SPECIFIED TOLERANCES: .x ± 0.25 .xx ± 0.1 .xxx ± 0.05 ANGLE ± 1°	
REV. A	SHEET 1/1
P/N:	CCx-P2xxSM
DWG.NO:	CCx-P2xxSM
DR.	Patty
CH.	ERIC
AP.	