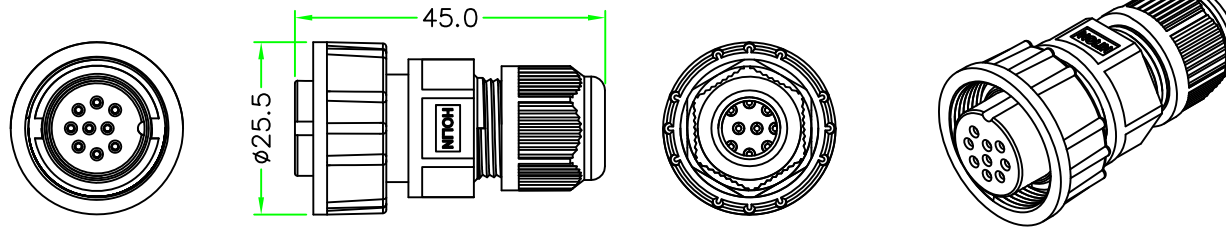
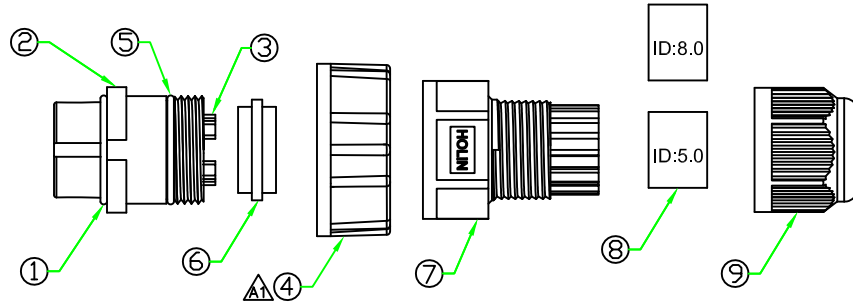


RoHS  
IP67

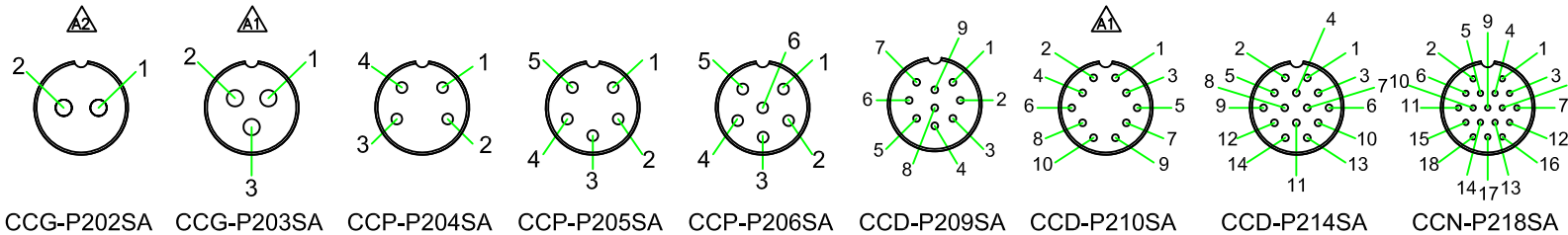


REV.	DESCRIPTION	DATE
A	ISSUE	Apr/08/2011
A1	Change screw nut shape & pin assignment.	Mar/27/2014
A2	Add item.	Apr/15/2016

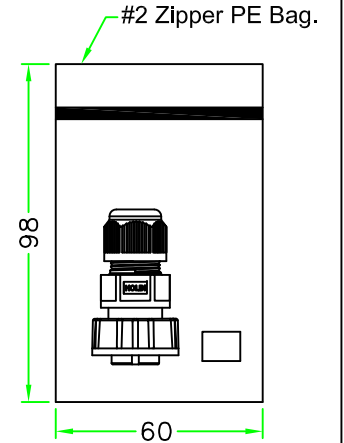
NOTES:

- ELECTRICAL CHARACTERISTICS:  
CURRENT RATING: 2A / 5A / 10A / 20A  
CONNECTOR TEMPERATURE RANGE: -40°C TO +105°C  
DIELECTRIC WITHSTANDING VOLTAGE:  
500V AC FOR ONE MINUTE
- HOW TO ORDER: CCx-P2xxSA

- 02 - 2 PIN 09 - 09 PIN
- 03 - 3 PIN 10 - 10 PIN
- 04 - 4 PIN 14 - 14 PIN
- 05 - 5 PIN 18 - 18 PIN
- 06 - 6 PIN
- G - CURRENT RATING 20A
- P - CURRENT RATING 10A
- D - CURRENT RATING 5A
- N - CURRENT RATING 2A



PIN ASSIGNMENT FRONT VIEW (前視圖)



9	CLAMP NUT	NYLON	BLACK	1	
8	TUBE	RUBBER. (Suitable for cable OD= 3~5 & 5 ~ 8mm.)	BLACK	2	
7	HOOD	NYLON	BLACK	1	
6	GASKET	RUBBER.	BLACK	1	
5	O-RING	NBR.	BLACK	1	
4	SCREW NUT	NYLON+GF.	BLACK	1	⚠
3	CONTACT	BRASS, FEMALE CONTACT. 6 u" GOLD PLATED.		N	
2	CONNECTOR	C SIZE FEMALE ONNECTOR INSERT.NYLON+GF.	BLACK	1	
1	O-RING	NBR	BLACK	1	
No.	PART NAME	DESCRIPTION	COLOR	Q'TY	REMARKS

UNIT: mm  
SCALE 1:1

UNLESS OTHERWISE SPECIFIED TOLERANCES:  
X ±0.25 XX ±0.1  
XXX ±0.05 ANGLE ± 1°X

REV. A2 SHEET 1/1

**CÉLION**  
Votre partenaire électronique

TITLE : Circular C Size Female Solder Pin Screw type Field Installable Plug

P/N: CCx-P2xxSA

DWG.NO: CCx-P2xxSA

DR. Jack  
CH. МЕНАЕЕ  
AP.