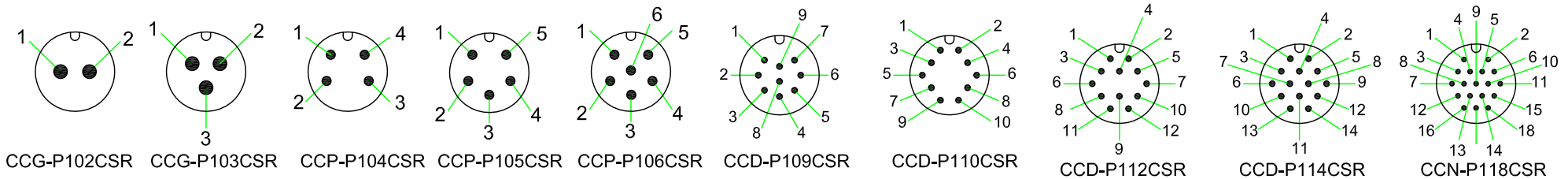
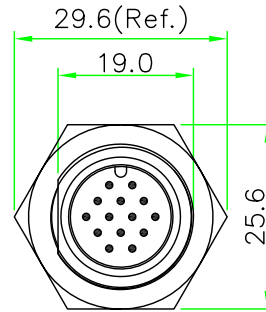
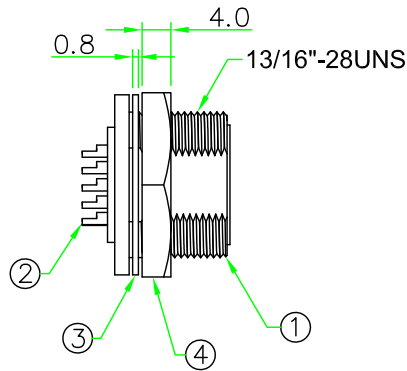
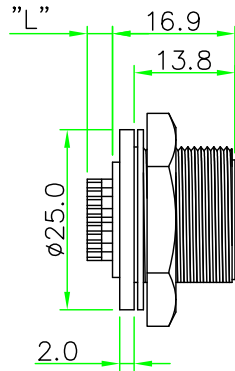


RECOMMENDED  
PANEL CUT OUT

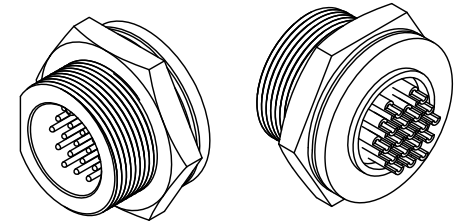
| P/N | D   |
|-----|-----|
| CCG | 9.5 |
| CCP | 8.1 |
| CCD | 2.5 |
| CCN | 3.5 |



PIN ASSIGNMENT FRONT VIEW  
(前視圖)

| REV. | DESCRIPTION | DATE        |
|------|-------------|-------------|
| A    | ISSUE       | Nov/09/2015 |
|      |             |             |
|      |             |             |

Ref.



NOTES:

- ELECTRICAL CHARACTERISTICS:  
CURRENT RATING: 2A / 5A / 10A / 20A  
CONNECTOR TEMPERATURE RANGE: -25°C TO +85°C  
DIELECTRIC WITHSTANDING VOLTAGE:  
500V AC FOR ONE MINUTE
- PANEL THICKNESS MAX. 4.0mm
- HOW TO ORDER: CCx-P1xxCSR

- 02 - 2 PIN 09 - 09 PIN
- 03 - 3 PIN 10 - 10 PIN
- 04 - 4 PIN 12 - 12 PIN
- 05 - 5 PIN 14 - 14 PIN
- 06 - 6 PIN 18 - 18 PIN

- G - CURRENT RATING 20A
- P - CURRENT RATING 10A
- D - CURRENT RATING 5A
- N - CURRENT RATING 2A

| No. | PART NAME | DESCRIPTION                             | COLOR | Q'TY | REMARKS |
|-----|-----------|---|-------|------|---------|
| 4   | HEX NUT   | NYLON+GF.                               | BLACK | 1    |         |
| 3   | GASKET    | EPDM.                                   | BLACK | 1    |         |
| 2   | CONTACT   | Brass, 6 u" Gold Plated. Male Contact.  |       | N    |         |
| 1   | CONNECTOR | C Size Male Connector Insert. NYLON+GF. | BLACK | 1    |         |

|  |                       | TITLE : Circular C Size Male Connector Male Pin Rear Mount Screw Type Round Flange Solder Bucket Pin |           |
|--|-----------------------|--|-----------|
|  | UNIT: mm<br>SCALE 1:1 | P/N: CCx-P1xxCSR   | DR. Patty |
| UNLESS OTHERWISE SPECIFIED TOLERANCES:<br>.x ± 0.5 .xx ± 0.25<br>.xxx ± 0.1 ANGLE ± 1° |                       |  | CH. ERIC  |
| REV. A   | SHEET 1/1             | DWG.NO: CCx-P1xxCSR  | AP.       |