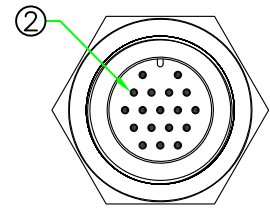
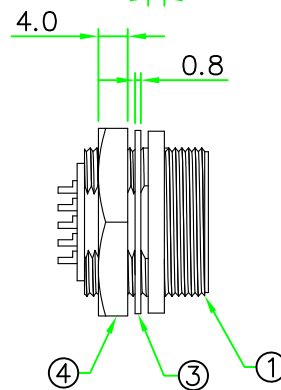
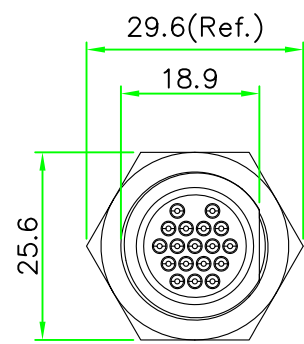
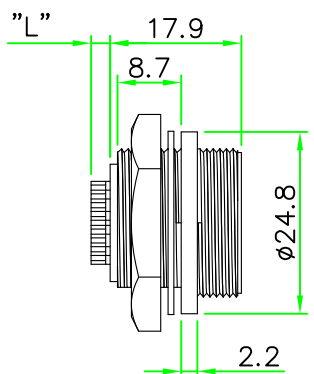


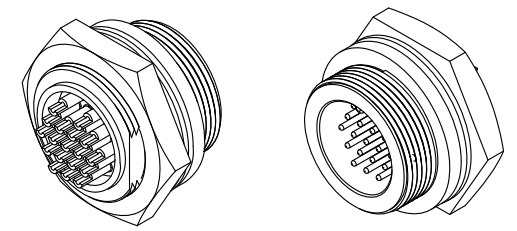
RECOMMENDED
PANEL CUT OUT

RoHS
IP66~68

P/N NO.	L
CCG	8.4
CCP	7.0
CCD	1.5
CCN	2.6



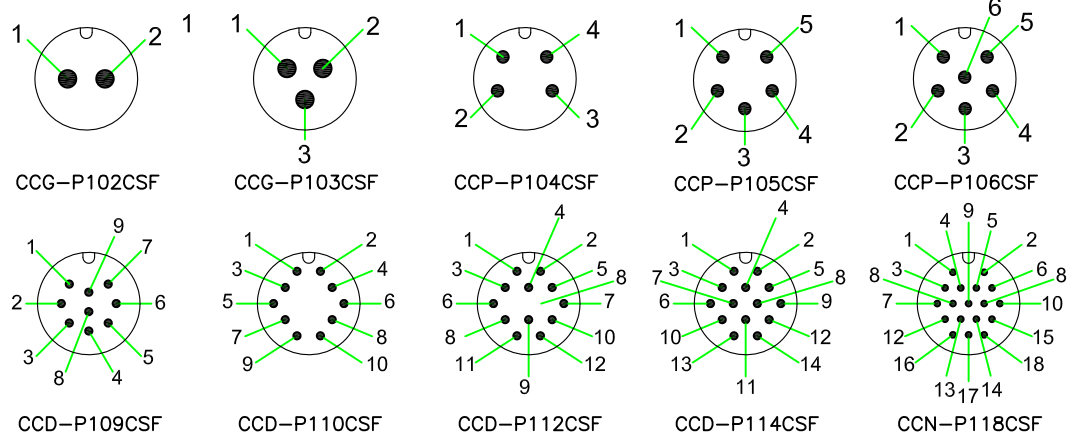
REV.	DESCRIPTION	DATE
A	ISSUE	Oct/20/2014



NOTES:

- ELECTRICAL CHARACTERISTICS:
CURRENT RATING: 2A / 5A / 10A / 20A
CONNECTOR TEMPERATURE RANGE: -25°C TO +85°C
DIELECTRIC WITHSTANDING VOLTAGE:
500V AC FOR ONE MINUTE
- PANEL THICKNESS MAX:3.5 mm
- HOW TO ORDER: CCx-P1xxCSF

- 02 - 2 PIN 09 - 9 PIN
- 03 - 3 PIN 10 - 10 PIN
- 04 - 4 PIN 12 - 12 PIN
- 05 - 5 PIN 14 - 14 PIN
- 06 - 6 PIN 18 - 18 PIN
- G - CURRENT RATING 20A
- P - CURRENT RATING 10A
- D - CURRENT RATING 5A
- N - CURRENT RATING 2A



PIN ASSIGNMENT FRONT VIEW
(前視圖)

4	HEX NUT	NYLON+GF.	BLACK	1	
3	GASKET	EPDM.	BLACK	1	
2	CONTACT	Brass , 6 u" Gold Plated . Male Contact.		N	
1	CONNECTOR	C Size Male Connector Insert.NYLON+GF.	BLACK	1	
No.	PART NAME	DESCRIPTION	COLOR	Q'TY	REMARKS

	UNIT: mm SCALE 1:1 UNLESS OTHERWISE SPECIFIED TOLERANCES: .x ± 0.25 .xx ± 0.1 .xxx ± 0.05 ANGLE ± 1° REV. SHEET
TITLE : Circular C Size Male Connector Male Pin Front Mount Screw Type Round Flange Solder Butcket Pin	
P/N: CCx-P1xxCSF	
DWG.NO: CCx-P1xxCSF	
DR. Patty CH. ERIC AP.	