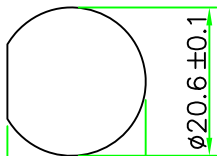


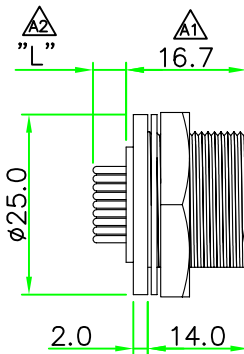
REV.	DESCRIPTION	DATE
A	ISSUE	Apr/27/2015
A1	Change dimension	Jul/17/2015
A2	Add Pin Assignment & PCB Layout	May/31/2017



19.2 ± 0.1

RECOMMEND
PANEL CUT-OFF

P/N No.	L	D
CCP	4.1	φ1.25
CCD	4.7	φ1.0
CCN	4.4	φ1.0

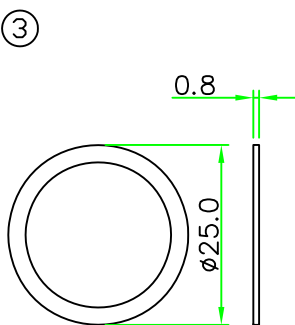
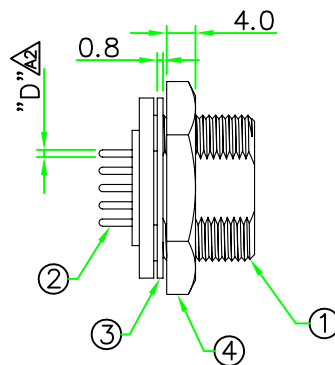
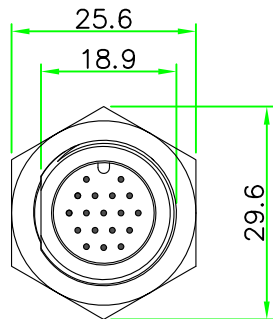
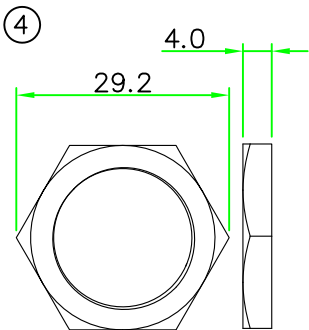


NOTES:

- ELECTRICAL CHARACTERISTICS:
CURRENT RATING: 2A / 5A / 10A
CONNECTOR TEMPERATURE RANGE: -25°C TO +85°C
DIELECTRIC WITHSTANDING VOLTAGE:
500V AC FOR ONE MINUTE
- PANEL THICKNESS MAX. 4.0mm
- HOW TO ORDER: CCx-P1xxCPR

- 04 - 4 PIN
- 05 - 5 PIN
- 06 - 6 PIN
- 09 - 9 PIN
- 10 - 10 PIN
- 12 - 12 PIN
- 14 - 14 PIN
- 18 - 18 PIN

- N - CURRENT RATING 2A
- D - CURRENT RATING 5A
- P - CURRENT RATING 10A

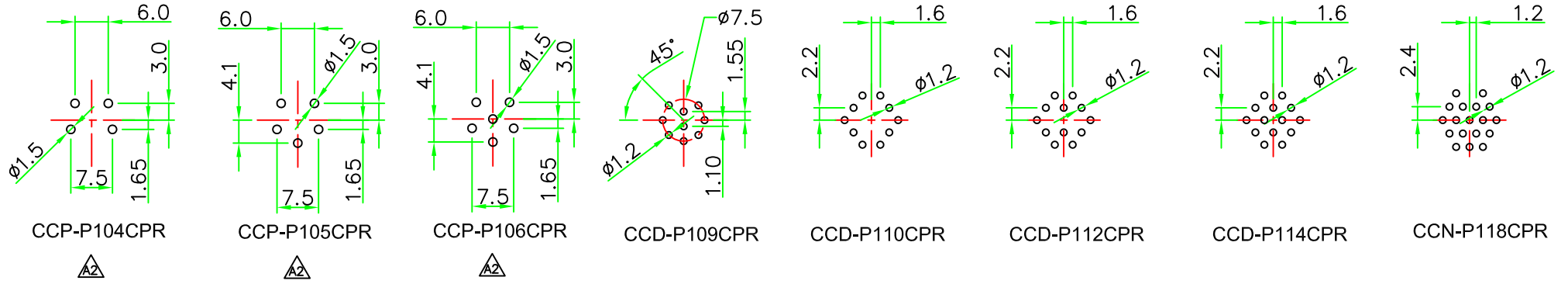


PIN ASSIGNMENT AND PCB LAYOUT SEE NEXT PAGE

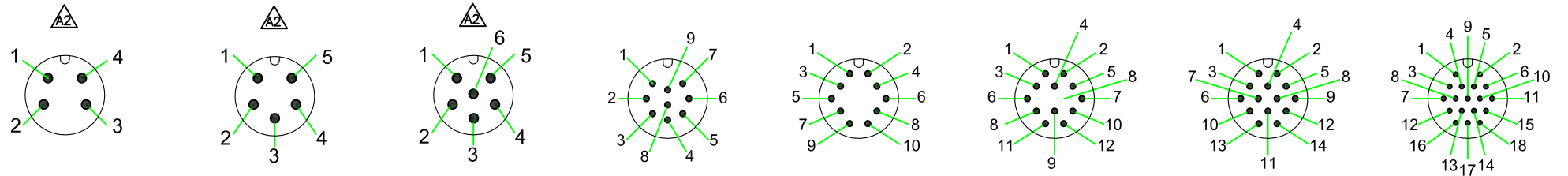
4	HEX NUT	Nylon + GF.	BLACK	1	
3	GASKET	EPDM.	BLACK	1	
2	CONTACT	Brass , 6 u" Gold Plated . Male Contact.		N	
1	CONNECTOR	C Size Male Connector Insert.Nylon+GF.	BLACK	1	
No.	PART NAME	DESCRIPTION	COLOR	Q'TY	REMARKS

	UNIT: mm	TITLE :	CIRCULAR C SIZE MALE PIN SCREW TYPE ROUND FLANGE REAR PANEL MOUNT PCB PIN		
SCALE	1:1	P/N:	CCx-P1xxCPR	DR.	SIBYL
UNLESS OTHERWISE SPECIFIED TOLERANCES:				CH.	ERIC
.x ± 0.25 .xx ± 0.1					
.xxx ± 0.05 ANGLE ± 1'					
REV.	SHEET	DWG.NO:			
A2	1/2	CCx-P1xxCPR			

REV.	DESCRIPTION	DATE
A	ISSUE	Apr/27/2015
A1	Change dimension	Jul/17/2015
A2	Add Pin Assignment & PCB Layout	May/31/2017



PCB LAYOUT



PIN ASSIGNMENT FRONT VIEW(前視圖)

HOLIN ® HTP ASIA TECHNOLOGY CO., LTD. 禾凌科技股份有限公司			
	UNIT: mm	TITLE : CIRCULAR C SIZE MALE PIN SCREW TYPE ROUND FLANGE REAR PANEL MOUNT PCB PIN	
SCALE	1:1		
UNLESS OTHERWISE SPECIFIED TOLERANCES: .x ± 0.25 .xx ± 0.1 .xxx ± 0.05 ANGLE ± 1'		P/N:	CCx-P1xxCPR
REV.	SHEET	DWG.NO:	CCx-P1xxCPR
A2	2/2		DR. SIBYL CH. ERIC AP.