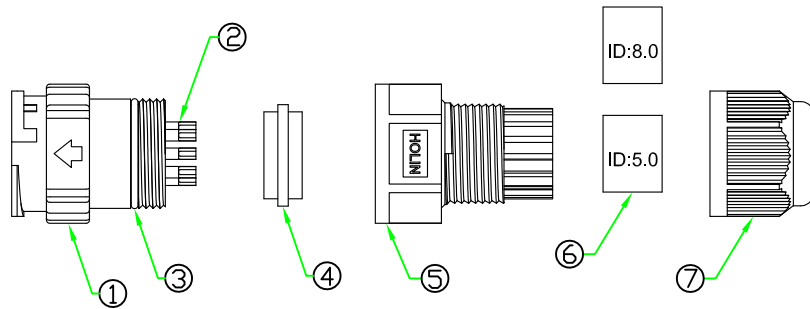
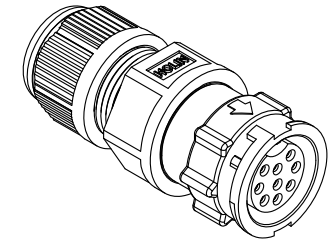
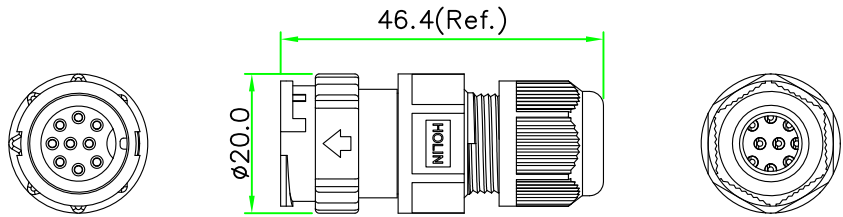


RoHS

IP66~68

REV.	DESCRIPTION	DATE
A	ISSUE	Jun/09/2015

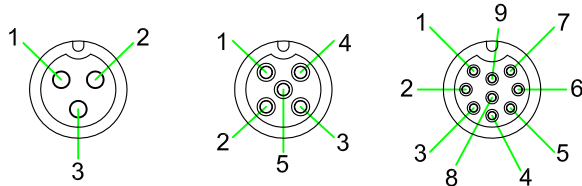


NOTES:

- ELECTRICAL CHARACTERISTICS:  
 CURRENT RATING: 5A / 10A / 20A  
 CONNECTOR TEMPERATURE RANGE: -20°C TO +80°C  
 DIELECTRIC WITHSTANDING VOLTAGE:  
 500V AC FOR ONE MINUTE
- HOW TO ORDER: CCx-L3xxSA

- 03 - 3 PIN
- 05 - 5 PIN
- 09 - 9 PIN

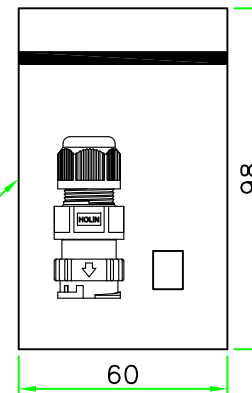
- G - CURRENT RATING 20A
- P - CURRENT RATING 10A
- D - CURRENT RATING 5A




CCG-L303SA      CCP-L305SA      CCD-L309SA

PIN ASSIGNMENT FRONT VIEW(前視圖)

#2 Zipper PE Bag



No.	PART NAME	DESCRIPTION	COLOR	Q'TY	REMARKS
7	CLAMP NUT	NYLON+GF.	BLACK	1	
6	TUBE	Rubber ( ID= 5.0 & 8.0mm)	BLACK	2	
5	HOOD	NYLON.	BLACK	1	
4	GASKET	EPDM.	BLACK	1	
3	O-RING	NBR.	BLACK	1	
2	CONTACT	Brass, 6 u" Gold Plated. Female Contact.		N	
1	CONNECTOR	C Size Male Connector Insert. NYLON+GF.	BLACK	1	

		TITLE : Circular C Size Lock Type Male Connector Female Pin Field Installable Plug	
UNIT: mm SCALE 1:1	P/N: CCx-L3xxSA	DR. Patty	CH. ERIC
UNLESS OTHERWISE SPECIFIED TOLERANCES: .x ± 0.5    .xx ± 0.25 .xxx ± 0.1    ANGLE ± 1°	DWG.NO: CCx-L3xxSA	AP.	
REV. A	SHEET 1/1		