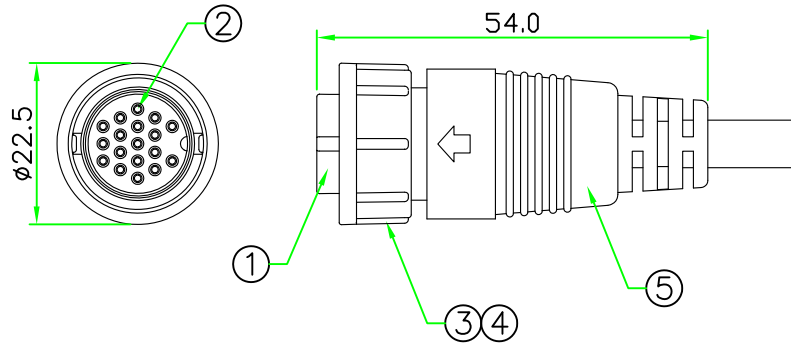
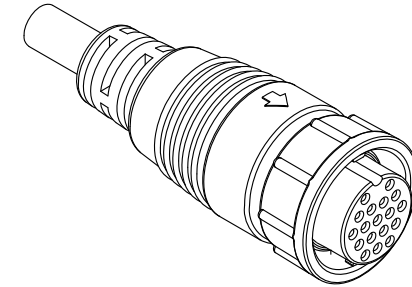


**RoHS**  
**IP66~68**

REV.	DESCRIPTION	DATE
A	ISSUE	May/25/2015

**Ref.**

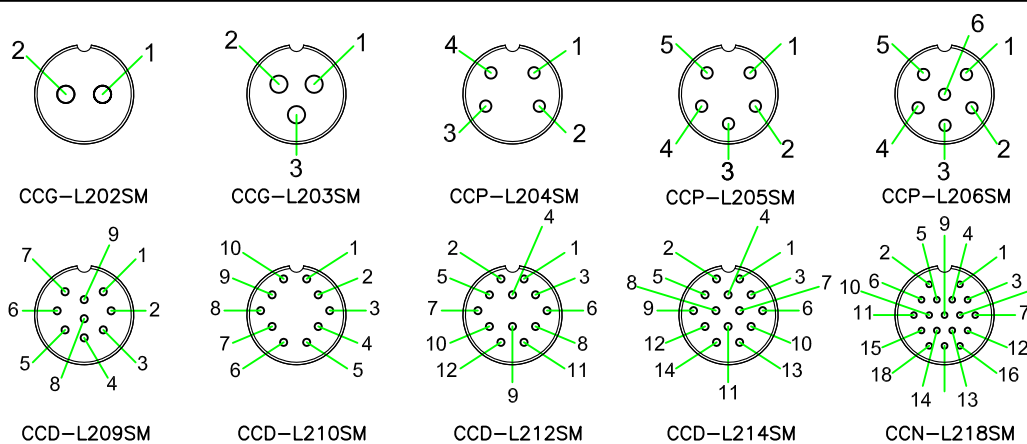


**NOTES:**

- ELECTRICAL CHARACTERISTICS:**  
CURRENT RATING: 2A / 5A / 10A / 20A  
CONNECTOR TEMPERATURE RANGE: -20°C TO +80°C  
DIELECTRIC WITHSTANDING VOLTAGE:  
500V AC FOR ONE MINUTE
- HOW TO ORDER: CCx-L2xxSM**

- 02 - 2 PIN    09 - 9 PIN
- 03 - 3 PIN    10 - 10 PIN
- 04 - 4 PIN    12 - 12 PIN
- 05 - 5 PIN    14 - 14 PIN
- 06 - 6 PIN    18 - 18 PIN

- G - CURRENT RATING 20A
- P - CURRENT RATING 10A
- D - CURRENT RATING 5A
- N - CURRENT RATING 2A



PIN ASSIGNMENT FRONT VIEW  
(前視圖)

5	OVERMOLD	PVC or PU.	BLACK	1	
4	LOCK NUT	NYLON+GF.	BLACK	1	
3	O-RING	Silicon.	BLACK	1	
2	CONTACT	Brass , 6 u" Gold Plated .Female Contact.		N	
1	CONNECTOR	C Size Female Connector Insert.NYLON+GF.	BLACK	1	
No.	PART NAME	DESCRIPTION	COLOR	Q'TY	REMARKS

		<b>TITLE :</b> Circular C Size Lock Type Female Connector Female Pin Molded Cable	
	UNIT: mm	<b>P/N:</b> CCx-L2xxSM	
<b>SCALE</b>	1:1	<b>DR.</b> Patty	
<small>UNLESS OTHERWISE SPECIPED TOLERANCES:</small> .x ± 0.5    .xx ± 0.25 .xxx ± 0.1    ANGLE ± 1°		<b>CH.</b> ERIC	
REV. A	SHEET 1/1	<b>DWG.NO:</b> CCx-L2xxSM	<b>AP.</b>