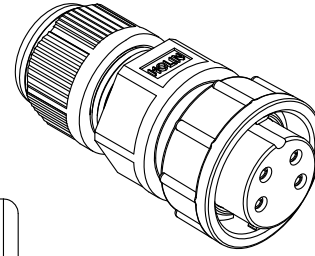
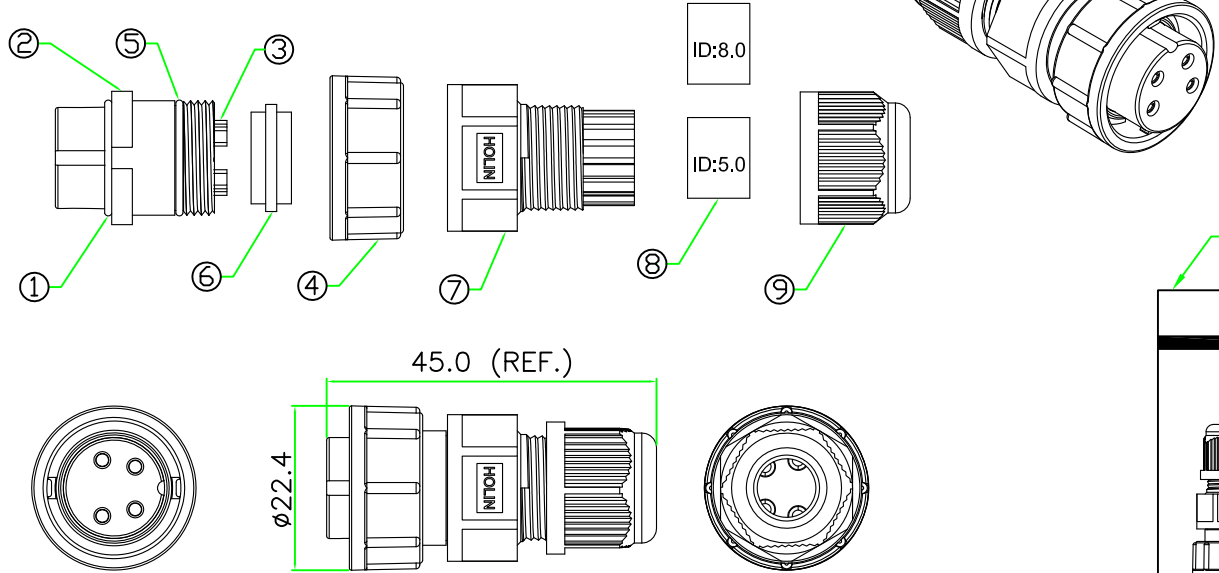


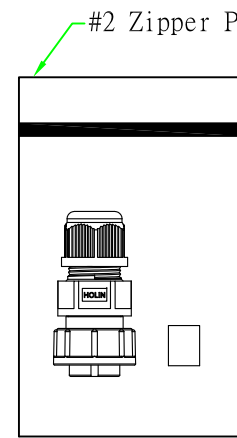
**RoHS**  
**IP67**

REV.	DESCRIPTION	DATE
A	ISSUE	Apr/08/2011
A1	ADD PIN ASSIGNMENT	May/21/2014

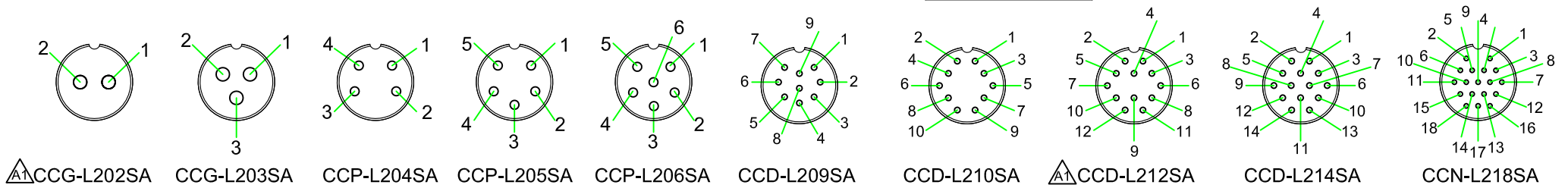


**NOTES:**

- ELECTRICAL CHARACTERISTICS:  
CURRENT RATING: 2A / 5A / 10A / 20A  
CONNECTOR TEMPERATURE RANGE: -40°C TO +105°C  
DIELECTRIC WITHSTANDING VOLTAGE:  
500V AC FOR ONE MINUTE
- HOW TO ORDER: CCx-L2xxSA



- 02 - 2 PIN
- 03 - 3 PIN
- 04 - 4 PIN
- 05 - 5 PIN
- 06 - 6 PIN
- 09 - 09 PIN
- 10 - 10 PIN
- 12 - 12 PIN
- 14 - 14 PIN
- 18 - 18 PIN
- G - CURRENT RATING 20A
- P - CURRENT RATING 10A
- D - CURRENT RATING 5A
- N - CURRENT RATING 2A



PIN ASSIGNMENT FRONT VIEW  
(前視圖)

9	CLAMP NUT	NYLON+GF	BLACK	1	
8	TUBE	RUBBER, (Suitable for cable OD= 3~5 & 5 ~ 8mm.)	BLACK	2	
7	HOOD	NYLON	BLACK	1	
6	GASKET	RUBBER.	BLACK	1	
5	O-RING	NBR.	BLACK	1	
4	LOCKING NUT	NYLON+GF	BLACK	1	
3	CONTACT	BRASS, 6 u" Gold Plated.		n	
2	CONNECTOR	C Size Female Connector Insert.NYLON+GF.	BLACK	1	
1	O-RING	NBR	BLACK	1	
No.	PART NAME	DESCRIPTION	COLOR	Q'TY	REMARKS

**CÉLION**  
Votre partenaire électronique

UNIT: mm  
SCALE: 1:1

UNLESS OTHERWISE SPECIFIED TOLERANCES:  
x ±0.25 xx ±0.1  
xxx ±0.05 ANGLE ± 1°x

REV. A1 SHEET 1/1

TITLE : Circular C Size Female Solder Pin Lock type Field Installable Plug

P/N: CCx-L2xxSA

DWG.NO: CCx-L2xxSA

DR. Patty  
CH. ERIC  
AP.