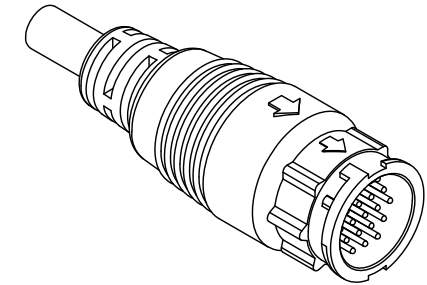
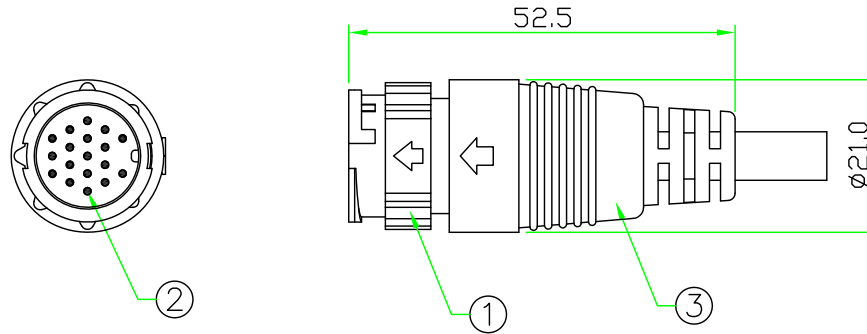


RoHS

IP66~68

REV.	DESCRIPTION	DATE
A	ISSUE	May/25/2015

Ref.

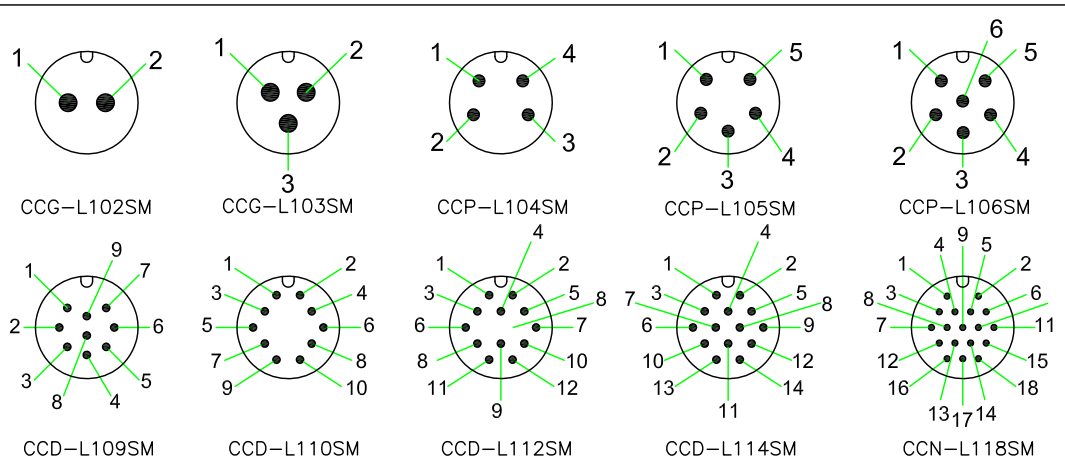


NOTES:

- ELECTRICAL CHARACTERISTICS:
 CURRENT RATING: 2A / 5A / 10A / 20A
 CONNECTOR TEMPERATURE RANGE: -20°C TO +80°C
 DIELECTRIC WITHSTANDING VOLTAGE:
 500V AC FOR ONE MINUTE
- HOW TO ORDER: CCx-L1xxSM


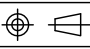
- 02 - 2 PIN 09 - 9 PIN
- 03 - 3 PIN 10 - 10 PIN
- 04 - 4 PIN 12 - 12 PIN
- 05 - 5 PIN 14 - 14 PIN
- 06 - 6 PIN 18 - 18 PIN

- G - CURRENT RATING 20A
- P - CURRENT RATING 10A
- D - CURRENT RATING 5A
- N - CURRENT RATING 2A



PIN ASSIGNMENT FRONT VIEW
(前視圖)

3	OVERMOLD	PVC or PU.	BLACK	1	
2	CONTACT	Brass , 6 u" Gold Plated .Male Contact.		N	
1	CONNECTOR	C Size Male Connector Insert.NYLON+GF.	BLACK	1	
No.	PART NAME	DESCRIPTION	COLOR	Q'TY	REMARKS

 Votre partenaire électronique			
	UNIT: mm	TITLE :	Circular C Size Lock Type Male Connector Male Pin Molded Cable
SCALE	1:1	P/N:	CCx-L1xxSM
UNLESS OTHERWISE SPECIFIED TOLERANCES: .x ± 0.5 .xx ± 0.25 .xxx ± 0.1 ANGLE ± 1°		DWG.NO:	CCx-L1xxSM
REV.	A	SHEET	1/1
		DR.	Patty
		CH.	ERIC
		AP.	