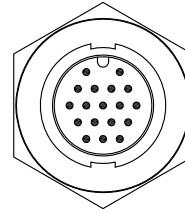
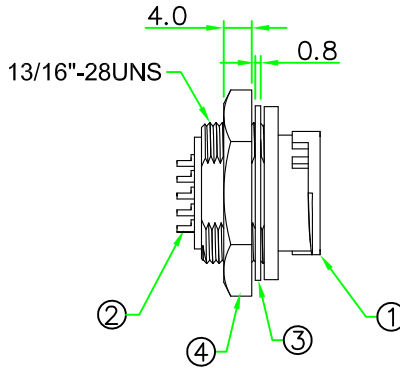
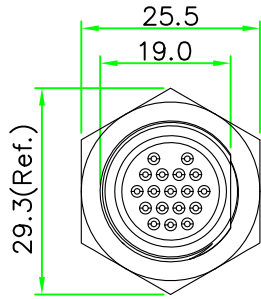
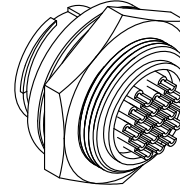
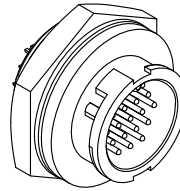
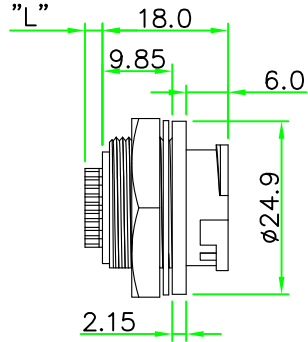


RECOMMENDED
PANEL CUT OUT

RoHS

IP66-68

P/N No.	L
CCG	8.7
CCP	7.0
CCD	1.6
CCN	3.8



REV.	DESCRIPTION	DATE
A	ISSUE	Nov/09/2015

Ref.

NOTES:

1. ELECTRICAL CHARACTERISTICS:

CURRENT RATING: 2A / 5A / 10A / 20A

CONNECTOR TEMPERATURE RANGE: -25°C TO +85°C

DIELECTRIC WITHSTANDING VOLTAGE:

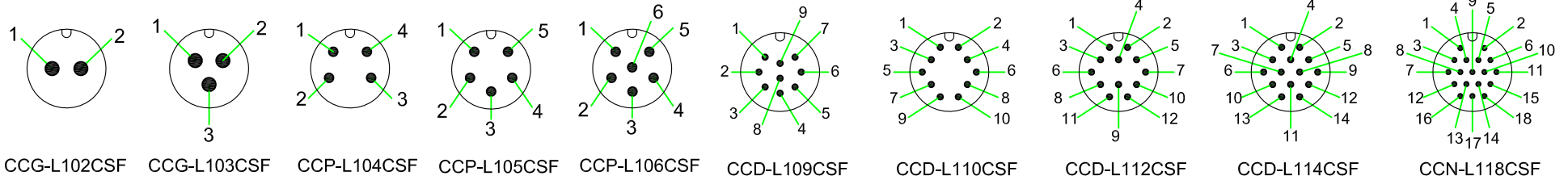
500V AC FOR ONE MINUTE

2. PANEL THICKNESS MAX. 4.0mm

3. HOW TO ORDER: CCx-L1xxCSF

- 02 - 2 PIN 09 - 09 PIN
- 03 - 3 PIN 10 - 10 PIN
- 04 - 4 PIN 12 - 12 PIN
- 05 - 5 PIN 14 - 14 PIN
- 06 - 6 PIN 18 - 18 PIN

- G - CURRENT RATING 20A
- P - CURRENT RATING 10A
- D - CURRENT RATING 5A
- N - CURRENT RATING 2A



PIN ASSIGNMENT FRONT VIEW (前視圖)

4	HEX NUT	NYLON+GF.	BLACK	1	
3	GASKET	EPDM.	BLACK	1	
2	CONTACT	Brass, 6 u" Gold Plated. Male Contact.		N	
1	CONNECTOR	C Size Male Connector Insert. NYLON+GF.	BLACK	1	
No.	PART NAME	DESCRIPTION	COLOR	Q'TY	REMARKS

		TITLE : Circular C Size Male Connector Male Pin Front Mount Lock Type Round Flange Solder Bucket Pin	
	UNIT: mm	SCALE	1:1
UNLESS OTHERWISE SPECIFIED TOLERANCES: .x ± 0.5 .xx ± 0.25 .xxx ± 0.1 ANGLE ± 1°		P/N:	CCx-L1xxCSF
REV.	A	DR.	Patty
SHEET	1/1	CH.	ERIC
DWG.NO:	CCx-L1xxCSF	AP.	