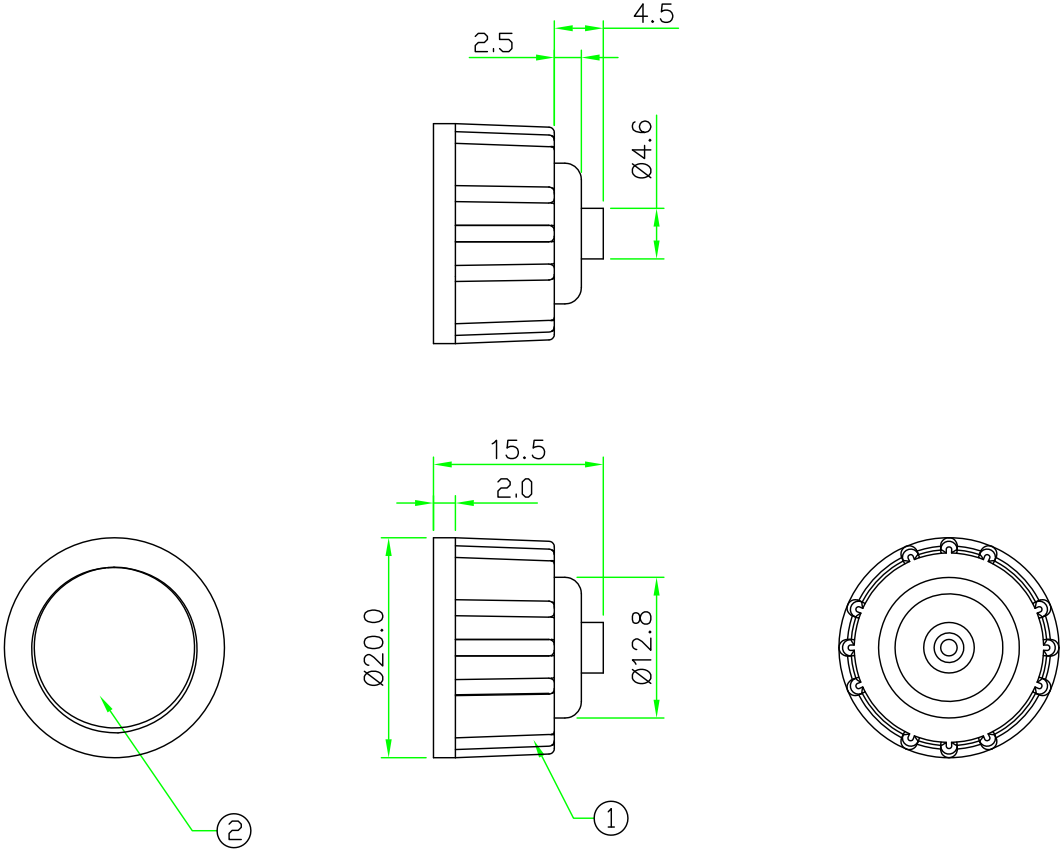


REV	DESCRIPTION	DATE
A	ISSUE	Jun/26/2015



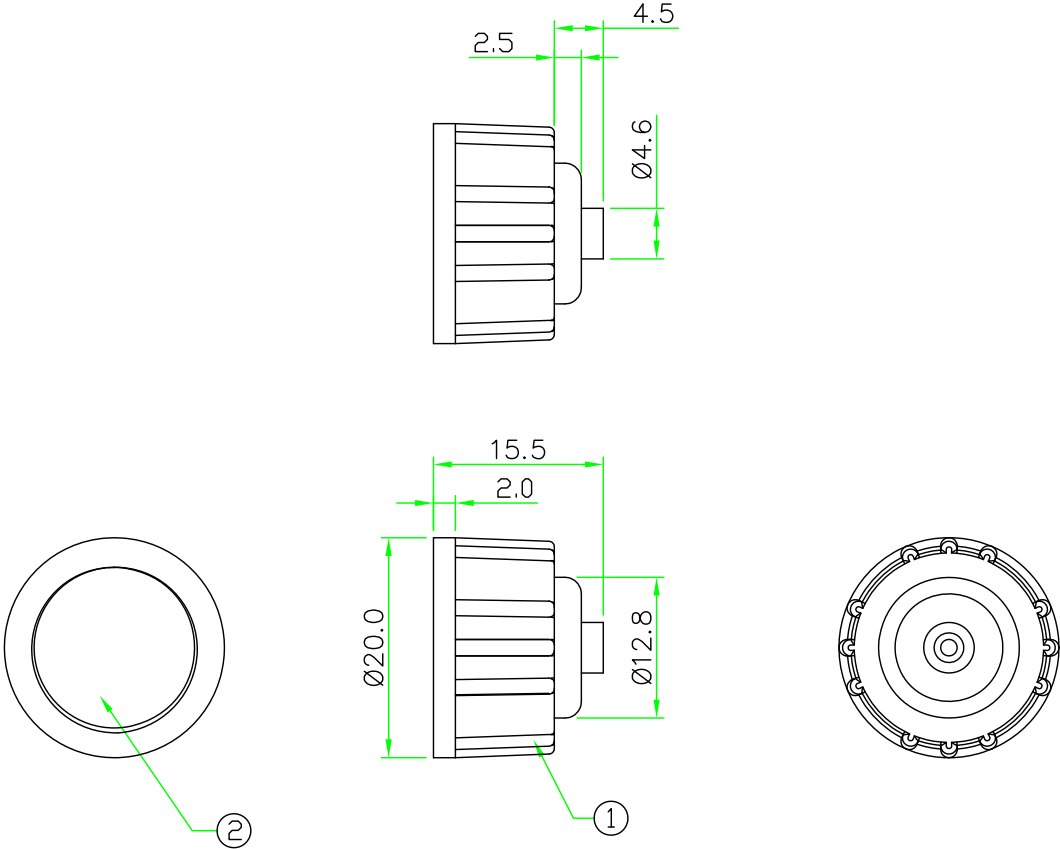
NOTE:
Panel Thickness Max:2.0mm
(適用面板最大厚度)



	UNIT: mm	TITLE Waterproof Cap Screw Type For B Size Panel Connector	DR. Patty CH. ERIC
	SCALE		
UNLESS OTHERWISE SPECIFIED TOLERANCES: .x ± 0.25 .xx ± 0.1 .xxx ± 0.05 ANGLE ± 1°		P/N: CBL-WCAP-MA	AP.
REV.	SHEET		
A	1/1		

2	GASKET	NBR.	BLACK	1	
1	SCREW CAP	NYLON+GF.	BLACK	1	
No.	PART NAME	DESCRIPTION	COLOR	Q'TY	REMARKS

REV	DESCRIPTION	DATE
A	ISSUE	Jun/26/2015



NOTE:
Panel Thickness Max:3.0mm
(適用面板最大厚度)

HOLIN[®] HTP ASIA TECHNOLOGY CO., LTD.
禾凌科技股份有限公司

 UNIT: mm SCALE 1.5:1	TITLE Waterproof Cap Screw Type For B Size Panel Connector	
	P/N: CBP-WCAP-MA	DR. Patty CH. ERIC
UNLESS OTHERWISE SPECIFIED TOLERANCES: .x ± 0.25 .xx ± 0.1 .xxx ± 0.05 ANGLE ± 1° REV. A SHEET 1/1	DWG.NO: CBP-WCAP-MA	AP.

No.	PART NAME	DESCRIPTION	COLOR	Q'TY	REMARKS
2	GASKET	NBR.	BLACK	2	
1	SCREW CAP	NYLON+GF.	BLACK	1	