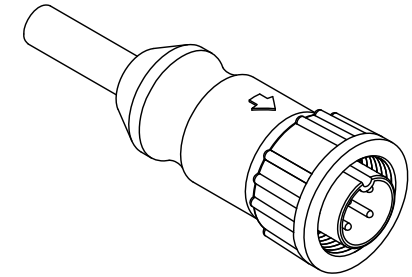
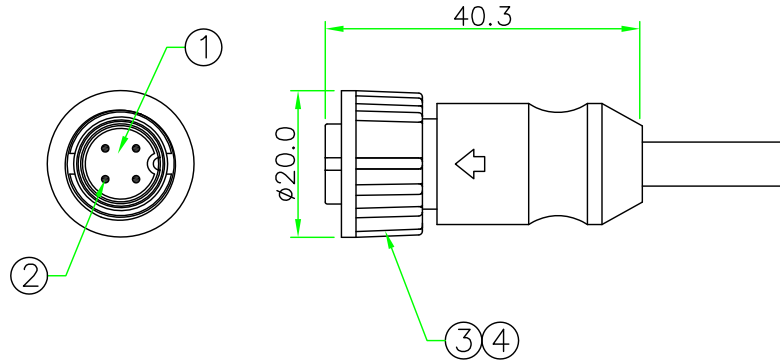


RoHS

IP66-68

REV.	DESCRIPTION	DATE
A	ISSUE	May/22/2015

Ref.

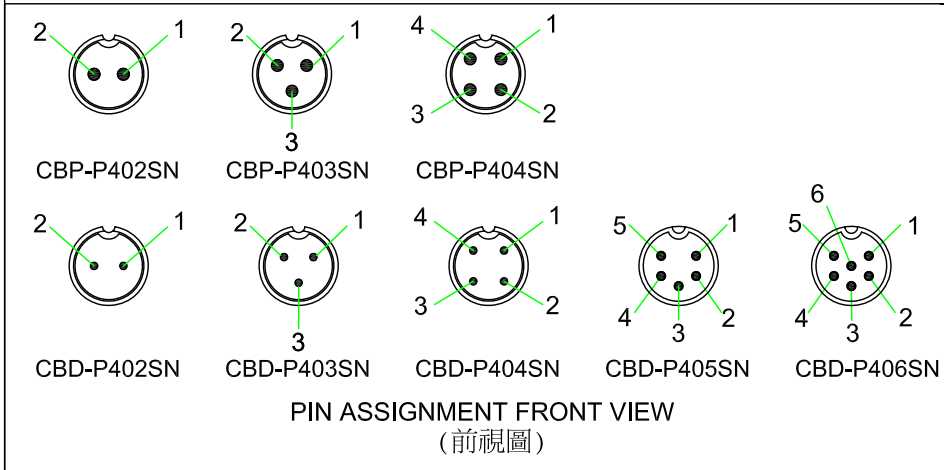


NOTES:


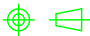
- ELECTRICAL CHARACTERISTICS:
 CURRENT RATING: 5A / 10A
 CONNECTOR TEMPERATURE RANGE: -20°C TO +80°C
 DIELECTRIC WITHSTANDING VOLTAGE:
 500V AC FOR ONE MINUTE
- HOW TO ORDER: CB_x-P4_{xx}SN

- 02 - 2 PIN
- 03 - 3 PIN
- 04 - 4 PIN
- 05 - 5 PIN
- 06 - 6 PIN

- P - CURRENT RATING 10A
- D - CURRENT RATING 5A



4	SCREW NUT	NYLON+GF.	BLACK	1	
3	O-RING	VITON	BLACK	1	
2	CONTACT	Brass ,Male Pin. 6u" Gold Plated.		N	
1	CONNECTOR	B Size Female Connector Insert, NYLON+GF.	BLACK	1	
No.	PART NAME	DESCRIPTION	COLOR	Q'TY	REMARKS

	
	UNIT: mm
SCALE	1:1
UNLESS OTHERWISE SPECIFIED TOLERANCES: .x ± 0.5 .xx ± 0.25 .xxx ± 0.1 ANGLE ± 1° REV. SHEET	
TITLE :	Circular B Size Screw Type Female Connector Male Pin Molded Cable
P/N:	CB _x -P4 _{xx} SN
DWG.NO:	CB _x -P4 _{xx} SN
DR.	Patty
CH.	ERIC
AP.	