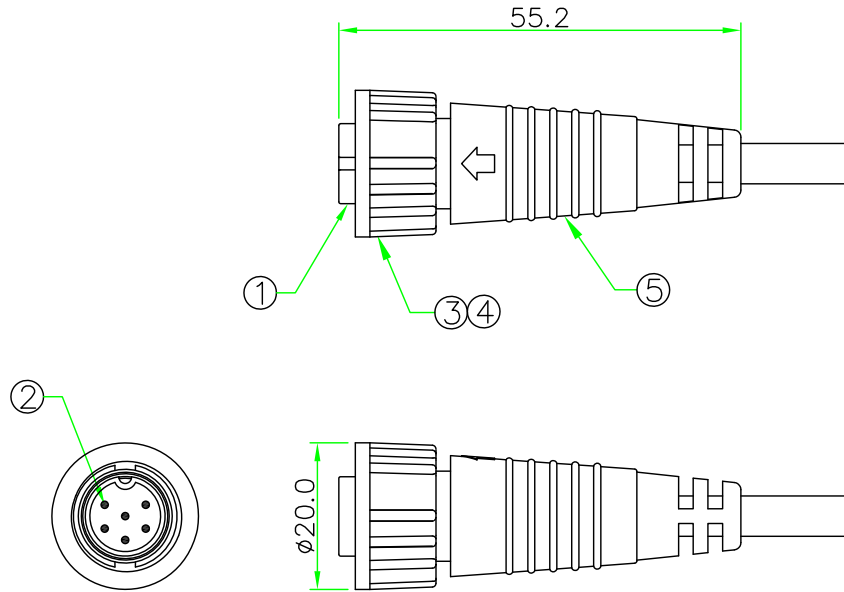


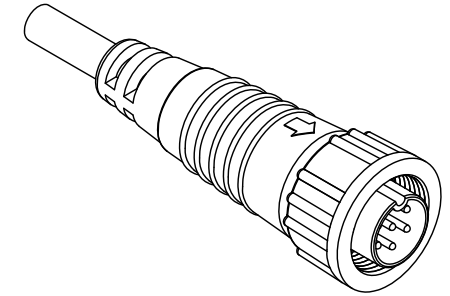
RoHS

IP66-68



| REV. | DESCRIPTION | DATE |
|------|-------------|-------------|
| A | ISSUE | May/20/2015 |
| | | |
| | | |

Ref.



NOTES:

1. ELECTRICAL CHARACTERISTICS:

CURRENT RATING: 5A / 10A

CONNECTOR TEMPERATURE RANGE: -20°C TO +80°C

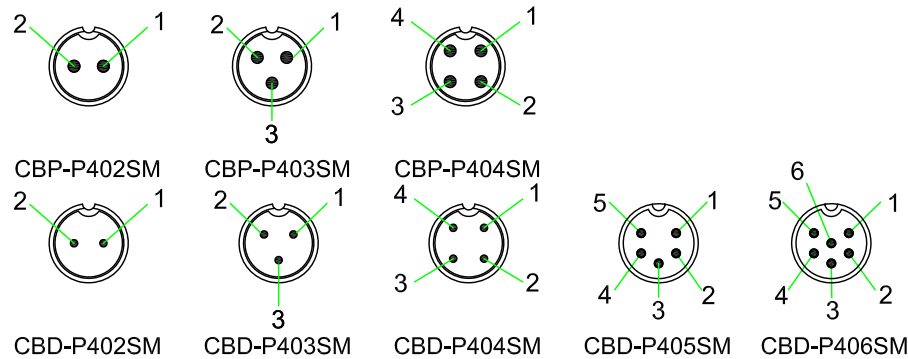
DIELECTRIC WITHSTANDING VOLTAGE:

500V AC FOR ONE MINUTE

2. HOW TO ORDER: CBx-P4xxSM

- 02 - 2 PIN
- 03 - 3 PIN
- 04 - 4 PIN
- 05 - 5 PIN
- 06 - 6 PIN

- P - CURRENT RATING 10A
- D - CURRENT RATING 5A



PIN ASSIGNMENT FRONT VIEW
(前視圖)

| 5 | OVERMOLD | PVC or PU. | BLACK | 1 | |
|-----|-----------|---|-------|------|---------|
| 4 | LOCK NUT | NYLON+GF. | BLACK | 1 | |
| 3 | O-RING | SILICON | BLACK | 1 | |
| 2 | CONTACT | Brass ,Male Pin. 6u" Gold Plated. | | N | |
| 1 | CONNECTOR | B Size Female Connector Insert, NYLON+GF. | BLACK | 1 | |
| No. | PART NAME | DESCRIPTION | COLOR | Q'TY | REMARKS |

| | | TITLE : Circular B Size Screw Type Female Connector Male Pin Molded Cable | |
|---|----------|---|------------|
| | UNIT: mm | SCALE | 1:1 |
| UNLESS OTHERWISE SPECIFIED TOLERANCES: .x ±0.25 .xx ± 0.1 .xxx± 0.05 ANGLE ± 1° | | P/N: | CBx-P4xxSM |
| REV. | A | SHEET | 1/1 |
| | | DWG.NO: | CBx-P4xxSM |
| | | DR. | Patty |
| | | CH. | ERIC |
| | | AP. | |