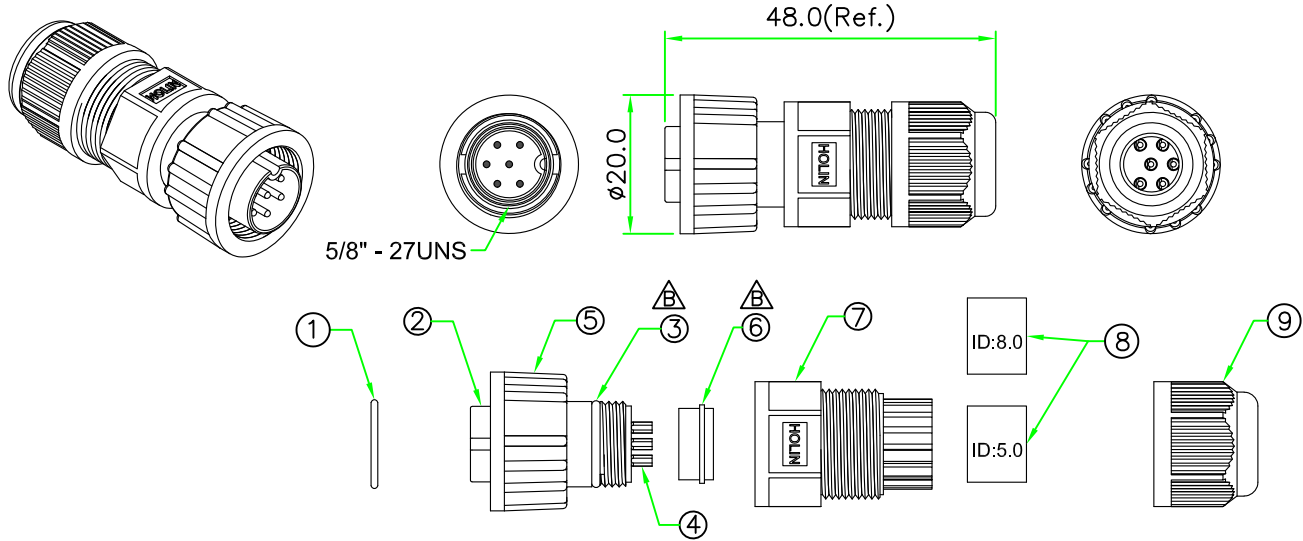


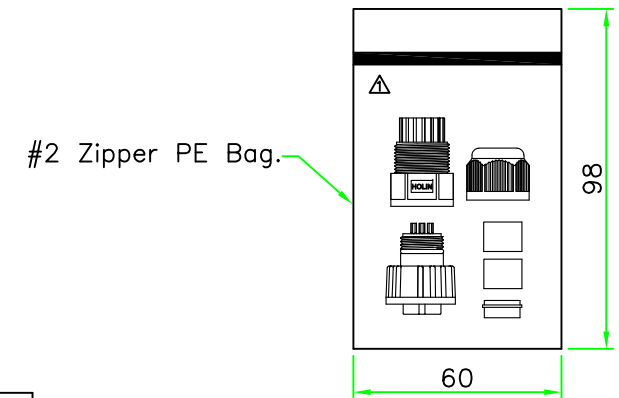
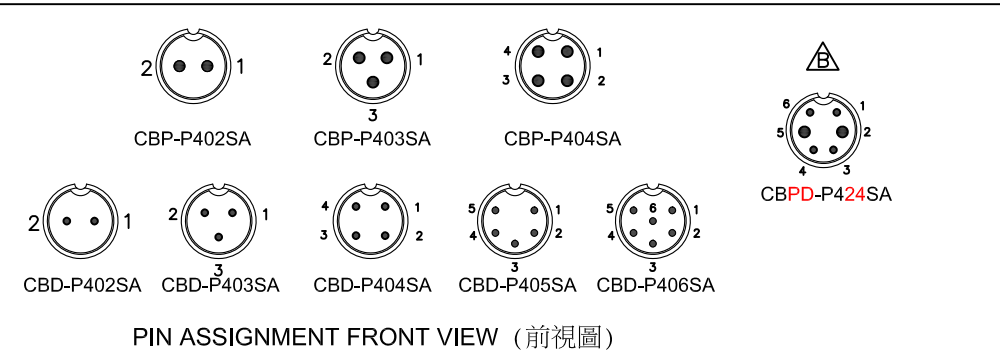
RoHS

IP67



REV.	DESCRIPTION	DATE
A	ISSUE	Jun/16/2016
B	Change O-Ring(EC-108035) & add "CBPD" Spec.	Dec/04/2019
note1	Change packing method.	Jul/12/2021

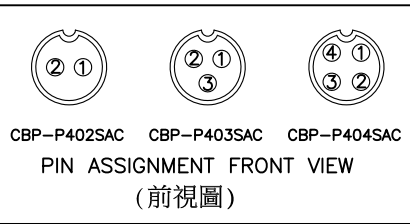
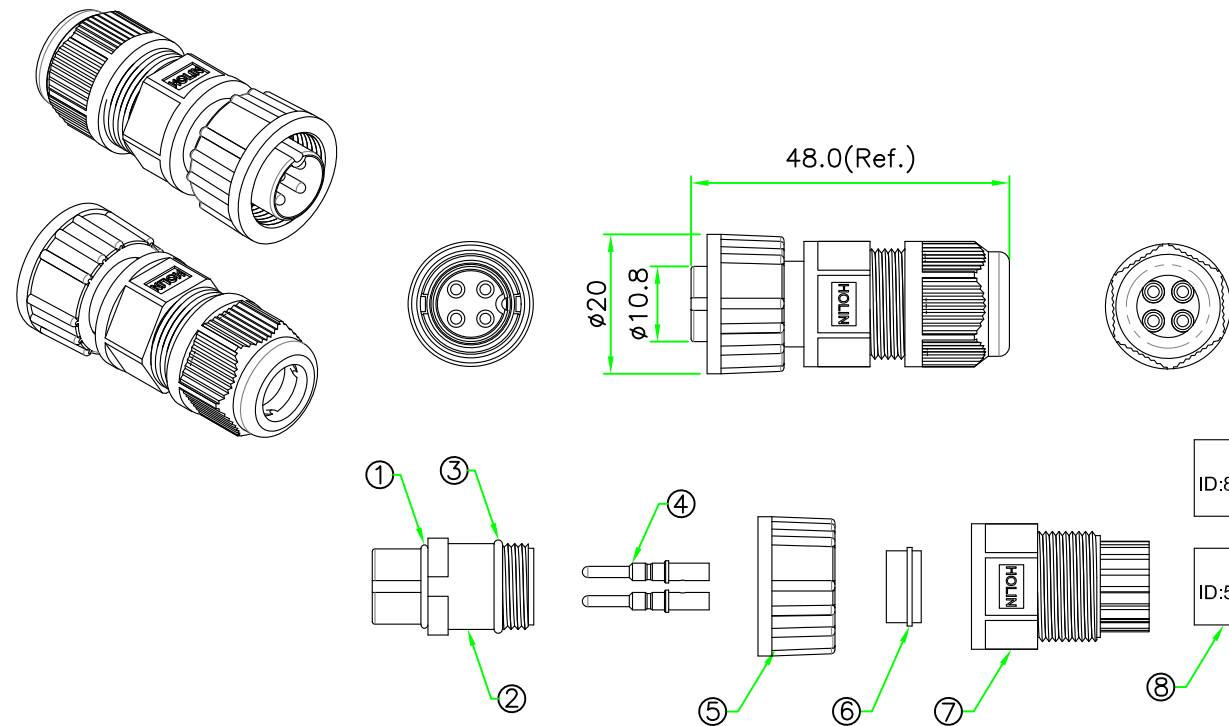
NOTES:
 1. ELECTRICAL CHARACTERISTICS:
 CURRENT RATING: 5A / 10A
 CONNECTOR TEMPERATURE RANGE: -40°C TO +105°C
 DIELECTRIC WITHSTANDING VOLTAGE:
 500V AC FOR ONE MINUTE
 2. HOW TO ORDER: CBx(xx)-P4xxSA
 02 - 2 PIN 03 - 3 PIN
 04 - 4 PIN 05 - 5 PIN
 06 - 6 PIN
 24 - Hybrid 2 + 4PIN
 P - CURRENT RATING 10A
 D - CURRENT RATING 5A
 PD - CURRENT RATING 10A +
 CURRENT RATING 5A



No.	PART NAME	DESCRIPTION	COLOR	Q'TY	REMARKS
9	CLAMP NUT	NYLON+GF.	BLACK	1	
8	TUBE	EPDM. (ID= 5.0 & 8.0mm)⚠	BLACK	2	
7	HOOD	NYLON.	BLACK	1	
6	GASKET	Silicon. ⚠	BLACK	1	
5	SCREW NUT	NYLON+GF.	BLACK	1	
4	CONTACT	Brass, Male Pin. 6u"Gold Plated.		N	
3	O-RING	EPDM. ⚠	BLACK	1	
2	CONNECTOR	B Size Female Connector Insert, NYLON+GF.	BLACK	1	
1	O-RING	NBR.	BLACK	1	

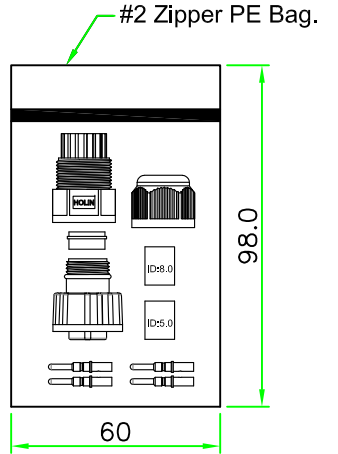
		TITLE Circular B Size Screw Type Female Connector Male Pin Field Installable Plug	
		SCALE 1.5:1	P/N: CBx(xx)-P4xxSA
UNLESS OTHERWISE SPECIFIED TOLERANCES: .x ± 0.5 .xx ± 0.25 .xxx ± 0.1 ANGLE ± 1°		DWG.NO: CBx(xx)-P4xxSA	DR. JAMES CH. ERIC
REV. B	SHEET 1/1		AP.

RoHS



REV.	DESCRIPTION	DATE
A	ISSUE	Oct/29/2021

NOTES:
 1. ELECTRICAL CHARACTERISTICS:
 CURRENT RATING: 10A
 CONNECTOR TEMPERATURE RANGE: -40°C TO +105°C
 DIELECTRIC WITHSTANDING VOLTAGE:
 500V AC FOR ONE MINUTE
 2. HOW TO ORDER: CBP-P4xxSAC
 02 - 2 PIN
 03 - 3 PIN
 04 - 4 PIN
 P - CURRENT RATING 10A



9	CLAMP NUT	NYLON+GF	BLACK	1	
8	TUBE	EPDM, (ID= 5.0 & 8.0mm.)	BLACK	2	
7	HOOD	NYLON	BLACK	1	
6	GASKET	SILICON.	BLACK	1	
5	SCREW NUT	NYLON+GF	BLACK	1	
4	CONTACT	BRASS ,Male Pin. 6u"Gold Plated.		N	
3	O-RING	EPDM.	BLACK	1	
2	CONNECTOR	B Size Female/Male Connector Insert, NYLON+GF.		1	
1	O-RING	NBR.	BLACK	1	
No.	PART NAME	DESCRIPTION	COLOR	Q'TY	REMARKS

HOLIN® HTP ASIA TECHNOLOGY CO., LTD.
 禾凌科技股份有限公司

	UNIT: mm	TITLE :	Circular B Size Screw Type
	SCALE 1:1		Female Connector Male Pin Field Installable Plug with Crimp Pin
UNLESS OTHERWISE SPECIFIED TOLERANCES: x ±1.0 xx ±0.5 xxx ±0.25 ANGLE ± 1°		P/N:	CBP-P4xxSAC
REV. A	SHEET 1/1	DWG.NO:	CBP-P4xxSAC
		DR. James	
		CH. ERIC	
		AP.	