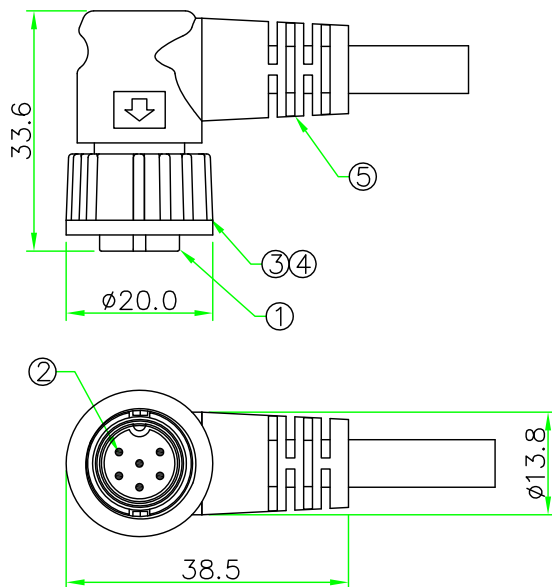


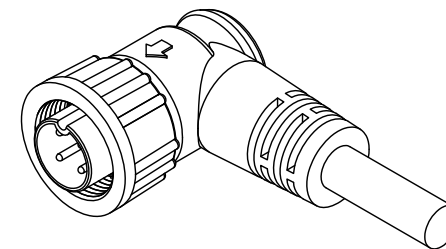
RoHS

IP66-68



| REV. | DESCRIPTION | DATE |
|------|-------------|-------------|
| A | ISSUE | May/26/2015 |
| | | |
| | | |

Ref.

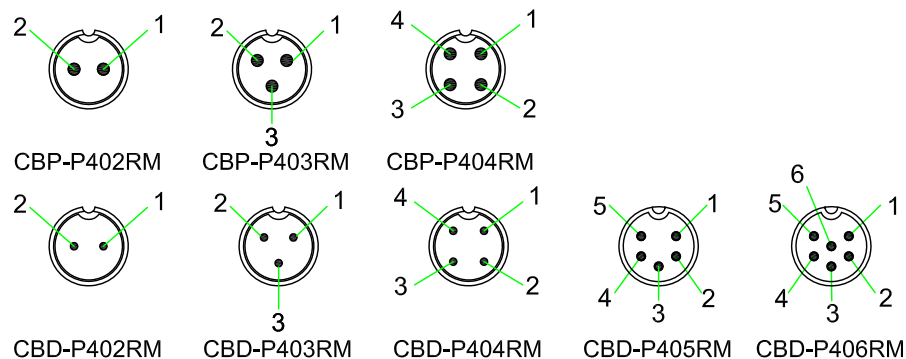


NOTES:

- ELECTRICAL CHARACTERISTICS:
 CURRENT RATING: 5A / 10A
 CONNECTOR TEMPERATURE RANGE: -20°C TO +80°C
 DIELECTRIC WITHSTANDING VOLTAGE:
 500V AC FOR ONE MINUTE
- HOW TO ORDER: CBx-P4xxRM

- 02 - 2 PIN
- 03 - 3 PIN
- 04 - 4 PIN
- 05 - 5 PIN
- 06 - 6 PIN

- P - CURRENT RATING 10A
- D - CURRENT RATING 5A



PIN ASSIGNMENT FRONT VIEW
(前視圖)

| 5 | OVERMOLD | PVC or PU. | BLACK | 1 | |
|-----|-----------|---|-------|------|---------|
| 4 | SCREW NUT | NYLON+GF. | BLACK | 1 | |
| 3 | O-RING | VITON | BLACK | 1 | |
| 2 | CONTACT | Brass ,Male Pin. 6u" Gold Plated. | | N | |
| 1 | CONNECTOR | B Size Female Connector Insert, NYLON+GF. | BLACK | 1 | |
| No. | PART NAME | DESCRIPTION | COLOR | Q'TY | REMARKS |

| | | TITLE : Circular B Size Screw Type Female Connector Male Pin Right Angle Molded Cable | |
|--|----------|---|--|
| | UNIT: mm | P/N: CBx-P4xxRM | |
| SCALE | 1:1 | DR. Patty | |
| UNLESS OTHERWISE SPECIFIED TOLERANCES: .x ±0.25 .xx ±0.1 .xxx±0.05 ANGLE ±1° | | CH. ERIC | |
| REV. | SHEET | AP. | |
| A | 1/1 | DWG.NO: CBx-P4xxRM | |