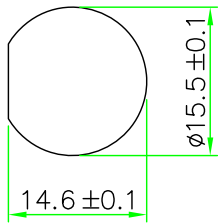
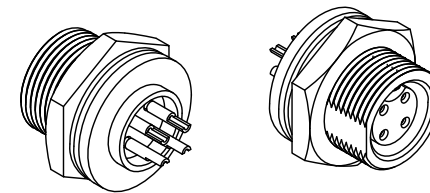
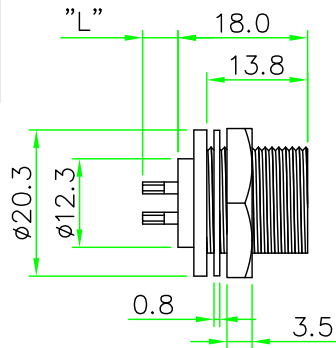


REV.	DESCRIPTION	DATE
A	ISSUE	Oct/28/2015

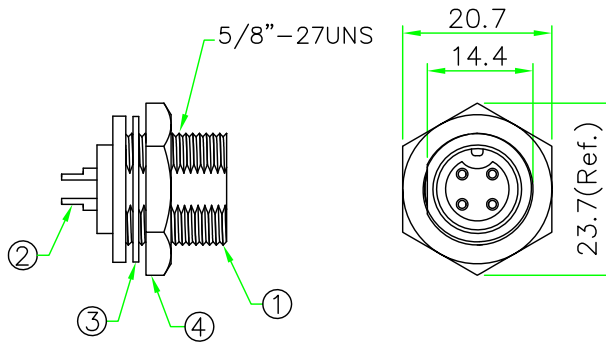


RECOMMEND
PANEL CUT OUT

P/N	L
CBP	6.8
CBD	4.8



RoHS
IP66~68

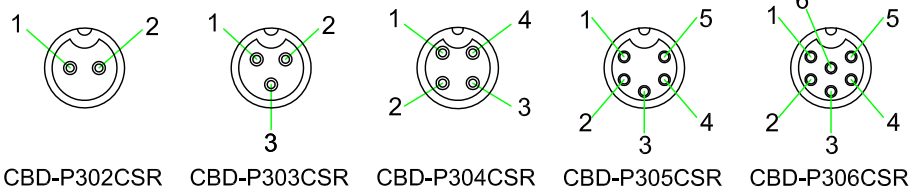
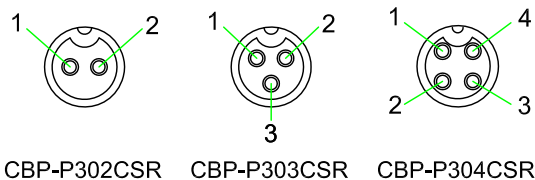


NOTES:

- ELECTRICAL CHARACTERISTICS:**
CURRENT RATING: 5A / 10A
CONNECTOR TEMPERATURE RANGE: -25°C TO +85°C
DIELECTRIC WITHSTANDING VOLTAGE:
500V AC FOR ONE MINUTE
- PANEL THICKNESS MAX. 4.0
- HOW TO ORDER: CBx-P3xxCSR

- 02 - 2 PIN
- 03 - 3 PIN
- 04 - 4 PIN
- 05 - 5 PIN
- 06 - 6 PIN

P - CURRENT RATING 10A
D - CURRENT RATING 5A



PIN ASSIGNMENT FRONT VIEW
(前視圖)

No.	PART NAME	DESCRIPTION	COLOR	Q'TY	REMARKS
4	HEX NUT	NYLON+GF.	BLACK	1	
3	GASKET	EPDM.	BLACK	1	
2	CONTACT	Brass, 6 u" Gold Plated. Female Contact.		N	
1	CONNECTOR	B Size Male Connector Insert. NYLON+GF.	BLACK	1	

	UNIT: mm SCALE 1:1 UNLESS OTHERWISE SPECIFIED TOLERANCES: .X ± 0.5 .XX ± 0.25 .XXX ± 0.1 ANGLE ± 1° REV. A SHEET 1/1
TITLE : Circular B Size Male Connector Female Pin Rear Mount Screw Type Round Flange Solder Bucket Pin	
P/N: CBx-P3xxCSR	
DWG.NO: CBx-P3xxCSR	
DR. Patty	CH. ERIC
AP.	