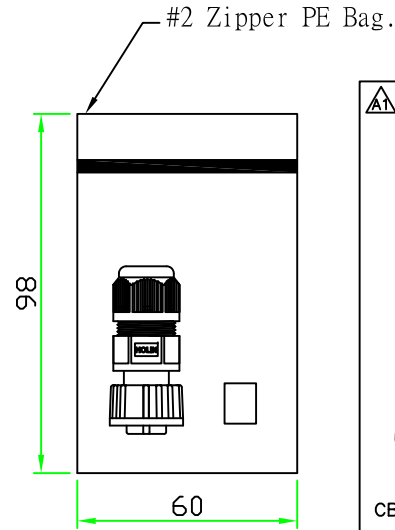
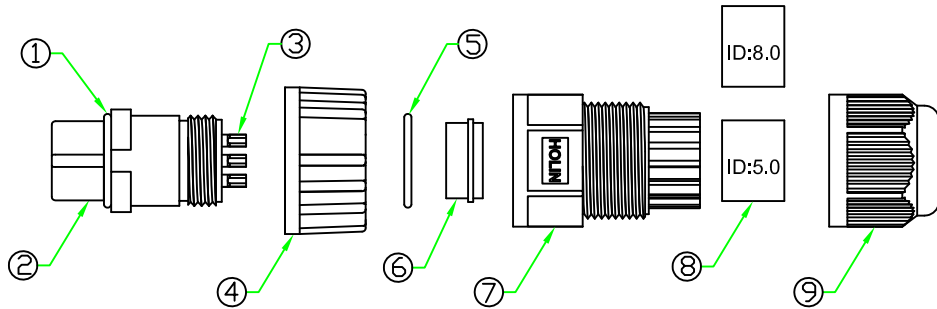
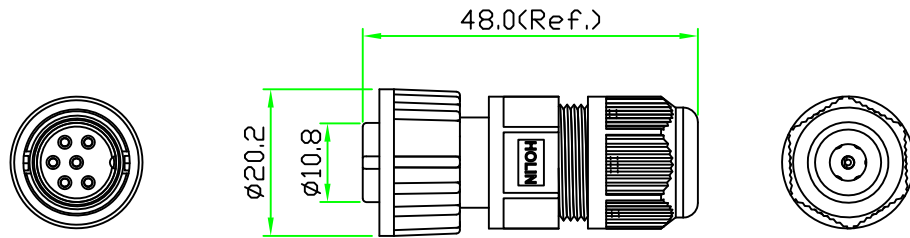
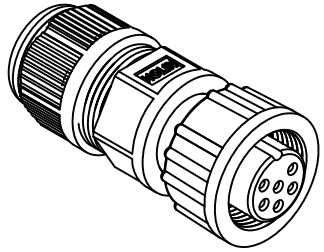


RoHS
IP66~68

REV.	DESCRIPTION	DATE
A	ISSUE	Jan/09/2013
A1	Add Pin Assignment	Aug/29/2014



NOTES:

1. ELECTRICAL CHARACTERISTICS:

CURRENT RATING: 2A / 5A /10A

CONNECTOR TEMPERATURE RANGE: -40°C TO +105°C

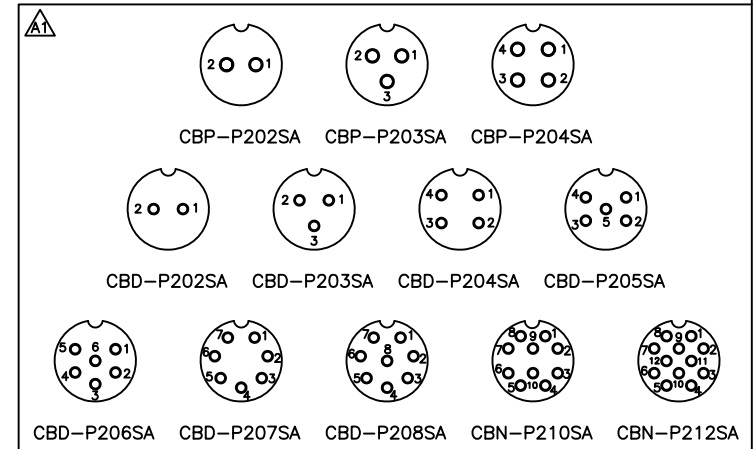
DIELECTRIC WITHSTANDING VOLTAGE:

500V AC FOR ONE MINUTE

2. HOW TO ORDER: CBx-P2xxSA

- 02 - 2 PIN 07 - 7 PIN
- 03 - 3 PIN 08 - 8 PIN
- 04 - 4 PIN 10 - 10 PIN
- 05 - 5 PIN 12 - 12 PIN
- 06 - 6 PIN

- P - CURRENT RATING 10A
- D - CURRENT RATING 5A
- N - CURRENT RATING 2A



PIN ASSIGNMENT FRONT VIEW
(前視圖)



UNIT: mm

SCALE 1:1

UNLESS OTHERWISE SPECIFIED TOLERANCES:
.x ± 0.25 .xx ± 0.1
.xxx ± 0.05 ANGLE ± 1'
REV. SHEET

TITLE : Circular B Size Screw Type
Female Connector Female Pin
Field Installable Plug

P/N: CBx-P2xxSA

DWG.NO: CBx-P2xxSA

DR. Patty
CH. ERIC
AP.

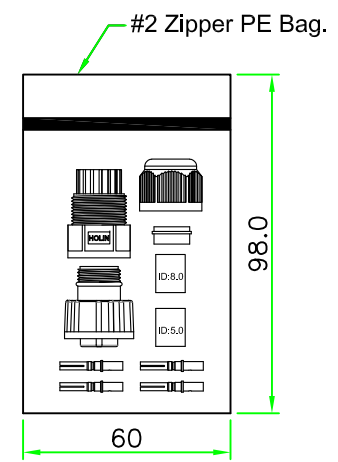
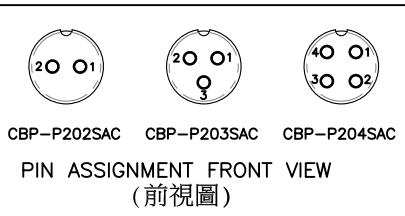
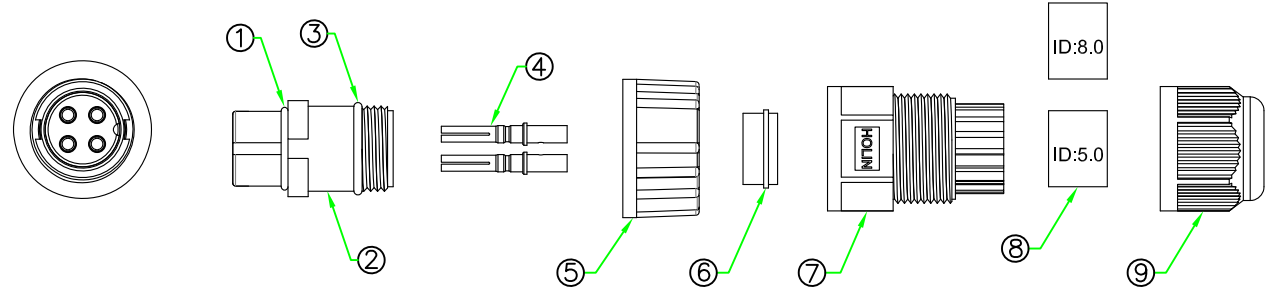
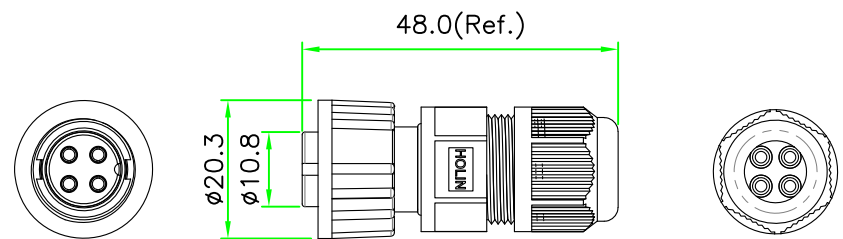
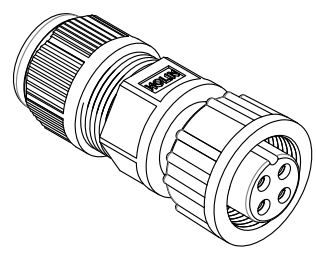
9	CLAMP NUT	NYLON+GF	BLACK	1	
8	TUBE	EPDM, (ID= 5.0 & 8.0mm.)	BLACK	2	
7	HOOD	NYLON	BLACK	1	
6	GASKET	EPDM.	BLACK	1	
5	O-RING	NBR.	BLACK	1	
4	SCREW NUT	NYLON+GF	BLACK	1	
3	CONTACT	BRASS, Female Pin. 6u"Gold Plated.		N	
2	CONNECTOR	B Size Female Connector Insert, NYLON+GF.		1	
1	O-RING	VITON	BLACK	1	
No.	PART NAME	DESCRIPTION	COLOR	Q'TY	REMARKS

RoHS

REV.	DESCRIPTION	DATE
A	ISSUE	Sep/26/2020

NOTES:

- ELECTRICAL CHARACTERISTICS:
 CURRENT RATING: 10A
 CONNECTOR TEMPERATURE RANGE: -40°C TO +105°C
 DIELECTRIC WITHSTANDING VOLTAGE:
 500V AC FOR ONE MINUTE
- HOW TO ORDER: CBP-P2xxSAC
 02 - 2 PIN
 03 - 3 PIN
 04 - 4 PIN
 P - CURRENT RATING 10A



9	CLAMP NUT	NYLON+GF	BLACK	1	
8	TUBE	EPDM, (ID= 5.0 & 8.0mm.)	BLACK	2	
7	HOOD	NYLON	BLACK	1	
6	GASKET	SILICON.	BLACK	1	
5	SCREW NUT	NYLON+GF	BLACK	1	
4	CONTACT	BRASS ,Female Pin. 6u"Gold Plated.		N	
3	O-RING	EPDM.	BLACK	1	
2	CONNECTOR	B Size Female Connector Insert, NYLON+GF.		1	
1	O-RING	NBR.	BLACK	1	
No.	PART NAME	DESCRIPTION	COLOR	Q'TY	REMARKS

HOLIN® HTP ASIA TECHNOLOGY CO., LTD.
 禾凌科技股份有限公司

UNIT: mm
 SCALE 1:1

TITLE : Circular B Size Screw Type
 Female Connector Female Pin
 Field Installable Plug with Crimp Pin

P/N: CBP-P2xxSAC
 DWG.NO: CBP-P2xxSAC

DR. James
 CH. ERIC
 AP.

UNLESS OTHERWISE SPECIFIED TOLERANCES:
 X ±1.0 XX ±0.5
 XXX ±0.25 ANGLE ± 1°
 REV. SHEET A 1/1