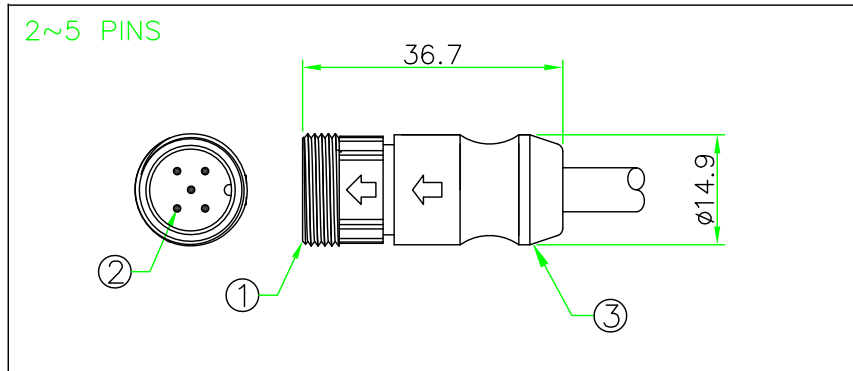
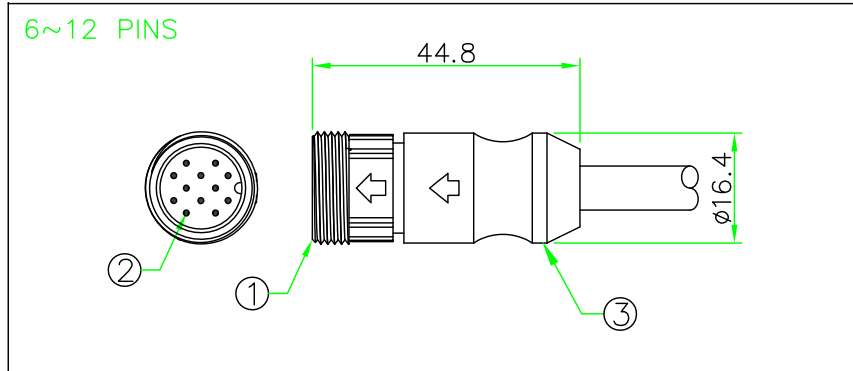


RoHS

IP66-68



| REV. | DESCRIPTION | DATE        |
|------|-------------|-------------|
| A    | ISSUE       | May/22/2015 |
|      |             |             |

Ref.

NOTES:

1. ELECTRICAL CHARACTERISTICS:

CURRENT RATING: 2A \ 5A \ 10A

CONNECTOR TEMPERATURE RANGE: -20°C TO +80°C

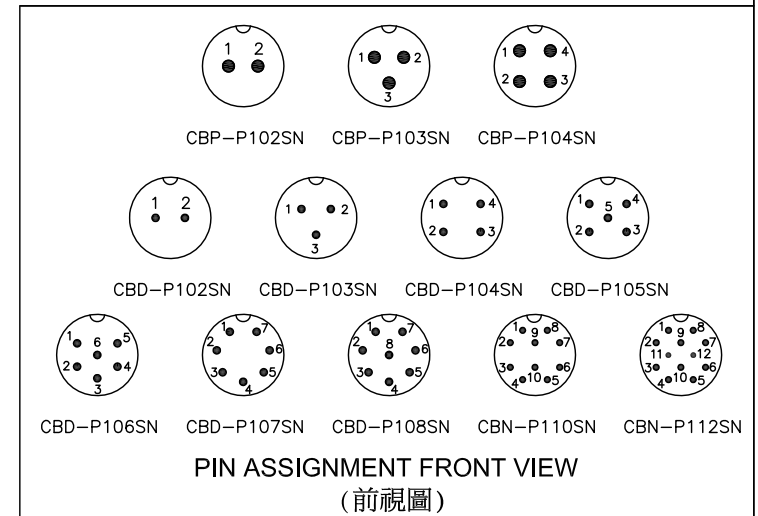
DIELECTRIC WITHSTANDING VOLTAGE:

500V AC FOR ONE MINUTE

2. HOW TO ORDER: CBx-P1xxSN

- 02 - 2 PIN
- 03 - 3 PIN
- 04 - 4 PIN
- 05 - 5 PIN
- 06 - 6 PIN
- 07 - 7 PIN
- 08 - 8 PIN
- 10 - 10 PIN
- 12 - 12 PIN

- P - CURRENT RATING 10A
- D - CURRENT RATING 5A
- N - CURRENT RATING 2A



|       |          |         |   |
|-------|----------|---------|---|
|       | UNIT: mm | TITLE : | Circular B Size Screw Type<br>Male Connector Male Pin<br>Molded Cable |
| SCALE | 1:1      |         |   |

UNLESS OTHERWISE SPECIFIED TOLERANCES:  
 .x ± 0.5 .xx ± 0.25  
 .xxx ± 0.1 ANGLE ± 1°  
 REV. SHEET

P/N: CBx-P1xxSN

DWG.NO: CBx-P1xxSN

DR. Patty  
 CH. ERIC  
 AP.

| 3   | OVERMOLD  | PVC or PU.                              | BLACK | 1    |         |
|-----|-----------|---|-------|------|---------|
| 2   | CONTACT   | Brass ,Male Pin. 6u" Gold Plated.       |       | N    |         |
| 1   | CONNECTOR | B Size Male Connector Insert, NYLON+GF. | BLACK | 1    |         |
| No. | PART NAME | DESCRIPTION                             | COLOR | Q'TY | REMARKS |