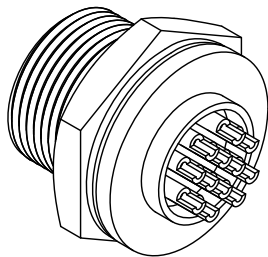
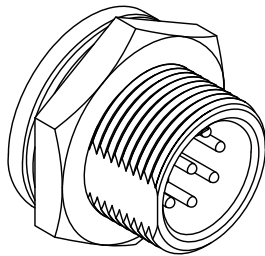
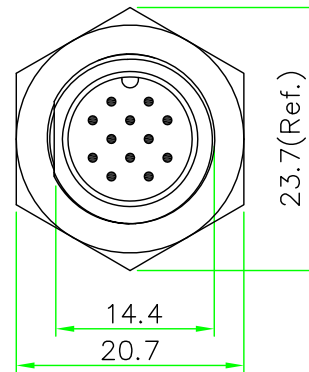
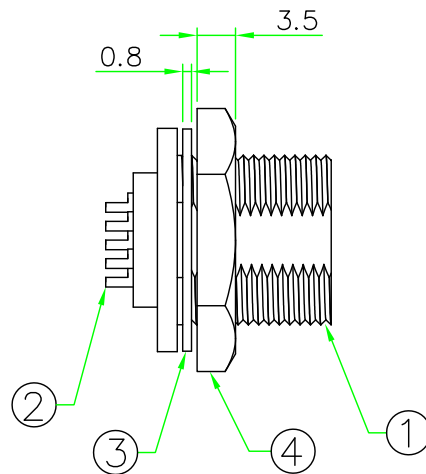
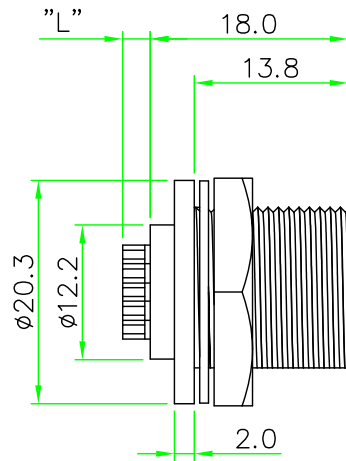


RECOMMENDED
PANEL CUT OUT

RoHS
IP66~68



| P/N | L |
|-----|-----|
| CBP | 6.6 |
| CBD | 1.6 |
| CBN | 2.5 |



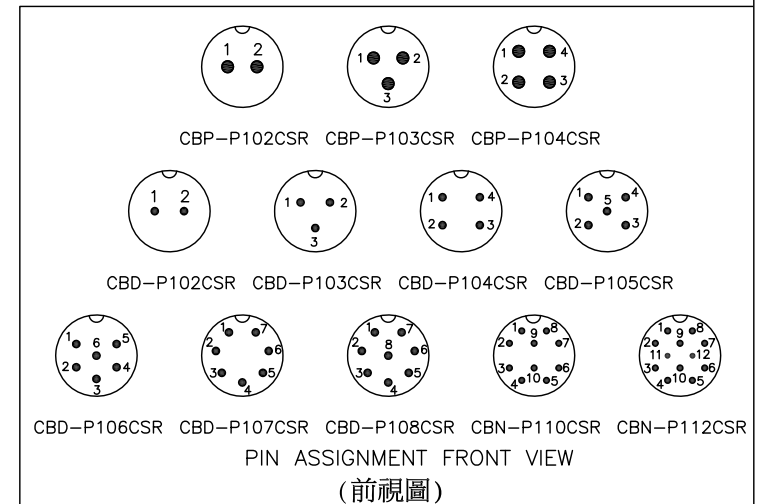
| REV. | DESCRIPTION | DATE |
|------|-----------------------|-------------|
| A | ISSUE | Oct/02/2014 |
| A1 | Modify Contact length | Jun/25/2015 |

NOTES:

- ELECTRICAL CHARACTERISTICS:
CURRENT RATING: 2A / 5A / 10A
CONNECTOR TEMPERATURE RANGE: -25°C TO +85°C
DIELECTRIC WITHSTANDING VOLTAGE:
500V AC FOR ONE MINUTE
- PANEL THICKNESS MAX. 4.5mm
- HOW TO ORDER: CBx-P1xxCSR

- 02 - 2 PIN 07 - 7 PIN
- 03 - 3 PIN 08 - 8 PIN
- 04 - 4 PIN 10 - 10 PIN
- 05 - 5 PIN 12 - 12 PIN
- 06 - 6 PIN

- P - CURRENT RATING 10A
- D - CURRENT RATING 5A
- N - CURRENT RATING 2A



| | | |
|-------|----------|--|
| | UNIT: mm | TITLE : Circular B Size Male Connector Male Pin Rear Mount Screw Type Round Flange Solder Bucket Pin |
| SCALE | 1.5:1 | |

| | | |
|---|---------------------|-----------|
| UNLESS OTHERWISE SPECIFIED TOLERANCES: .X ± 0.25 .XX ± 0.1 .XXX ± 0.05 ANGLE ± 1° | P/N: CBx-P1xxCSR | DR. Patty |
| REV. SHEET | DWG.NO: CBx-P1xxCSR | CH. ERIC |

| No. | PART NAME | DESCRIPTION | COLOR | Q'TY | REMARKS |
|-----|-----------|---|-------|------|---------|
| 4 | HEX NUT | Nylon + GF. | BLACK | 1 | |
| 3 | GASKET | EPDM. | BLACK | 1 | |
| 2 | CONTACT | Brass, 6 u" Gold Plated . Male Contact. | | N | |
| 1 | CONNECTOR | B Size Male Connector Insert.NYLON+GF. | BLACK | 1 | |

| | | | |
|----|-----|---------------------|-----|
| A1 | 1/1 | DWG.NO: CBx-P1xxCSR | AP. |
|----|-----|---------------------|-----|