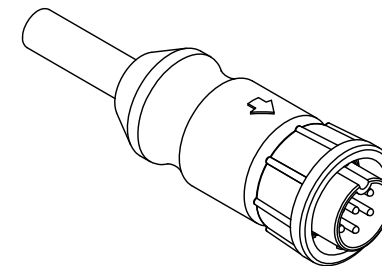
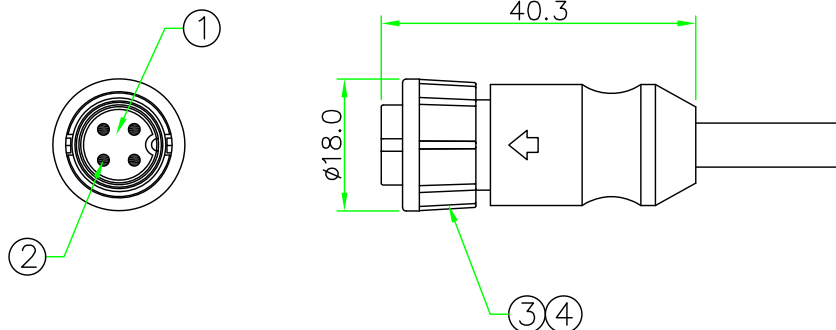


RoHS

IP66-68

REV.	DESCRIPTION	DATE
A	ISSUE	May/22/2015

Ref.

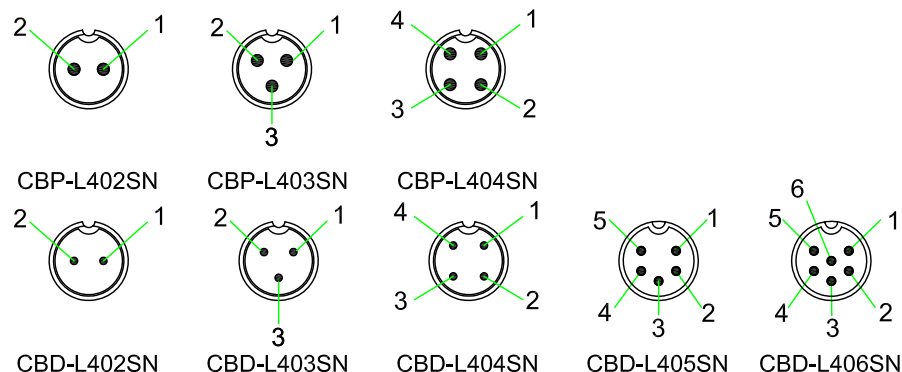


NOTES:

- ELECTRICAL CHARACTERISTICS:  
 CURRENT RATING: 5A / 10A  
 CONNECTOR TEMPERATURE RANGE: -20°C TO +80°C  
 DIELECTRIC WITHSTANDING VOLTAGE:  
 500V AC FOR ONE MINUTE
- HOW TO ORDER: CB<sub>x</sub>-L4<sub>xx</sub>SN


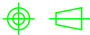
- 02 - 2 PIN
- 03 - 3 PIN
- 04 - 4 PIN
- 05 - 5 PIN
- 06 - 6 PIN

- P - CURRENT RATING 10A
- D - CURRENT RATING 5A



PIN ASSIGNMENT FRONT VIEW  
(前視圖)

4	LOCK NUT	NYLON+GF.	BLACK	1	
3	O-RING	VITON	BLACK	1	
2	CONTACT	Brass ,Male Pin. 6u" Gold Plated.		N	
1	CONNECTOR	B Size Female Connector Insert, NYLON+GF.	BLACK	1	
No.	PART NAME	DESCRIPTION	COLOR	Q'TY	REMARKS

		
	UNIT: mm	<b>TITLE :</b> Circular B Size Lock Type Female Connector Male Pin Field Installable Plug
<b>SCALE</b>	1:1	
UNLESS OTHERWISE SPECIFIED TOLERANCES: .x ± 0.5 .xx ± 0.25 .xxx ± 0.1 ANGLE ± 1° REV. SHEET		<b>P/N:</b> CB <sub>x</sub> -L4 <sub>xx</sub> SN  <b>DWG.NO:</b> CB <sub>x</sub> -L4 <sub>xx</sub> SN
A	1/1	<b>DR.</b> Patty <b>CH.</b> ERIC <b>AP.</b>