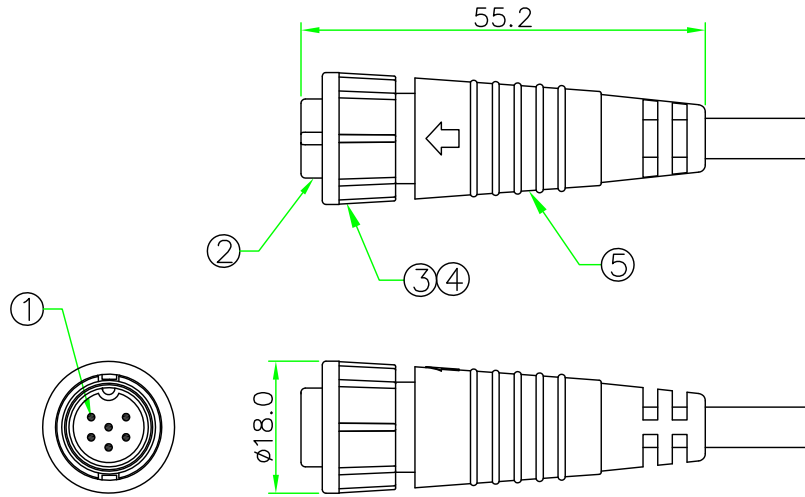


RoHS

IP66-68

REV.	DESCRIPTION	DATE
A	ISSUE	May/20/2015

Ref.



NOTES:

1. ELECTRICAL CHARACTERISTICS:

CURRENT RATING: 5A / 10A

CONNECTOR TEMPERATURE RANGE: -20°C TO +80°C

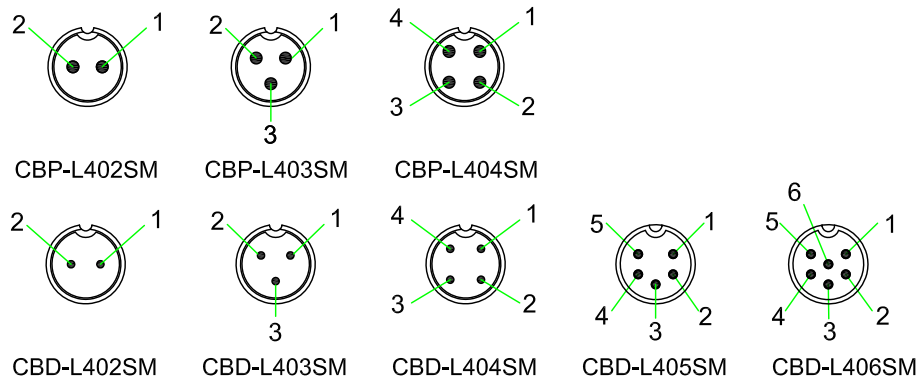
DIELECTRIC WITHSTANDING VOLTAGE:

500V AC FOR ONE MINUTE

2. HOW TO ORDER: CBx-L4xxSM

- 02 - 2 PIN
- 03 - 3 PIN
- 04 - 4 PIN
- 05 - 5 PIN
- 06 - 6 PIN

- P - CURRENT RATING 10A
- D - CURRENT RATING 5A



PIN ASSIGNMENT FRONT VIEW  
(前視圖)

5	OVERMOLD	PVC or PU.	BLACK	1	
4	LOCK NUT	NYLON+GF.	BLACK	1	
3	O-RING	VITON	BLACK	1	
2	CONTACT	Brass ,Male Pin. 6u" Gold Plated.		N	
1	CONNECTOR	B Size Female Connector Insert, NYLON+GF.	BLACK	1	
No.	PART NAME	DESCRIPTION	COLOR	Q'TY	REMARKS

		TITLE : Circular B Size Lock Type Female Connector Male Pin Molded Cable	
	UNIT: mm	P/N: CBx-L4xxSM	DR. Patty
SCALE	1:1		CH. ERIC
UNLESS OTHERWISE SPECIFIED TOLERANCES: .x ± 0.25 .xx ± 0.1 .xxx ± 0.05 ANGLE ± 1°		DWG.NO: CBx-L4xxSM	AP.
REV. A	SHEET 1/1		