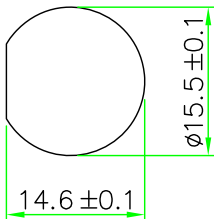


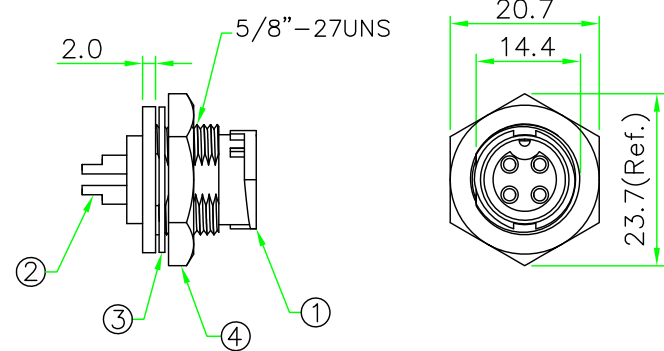
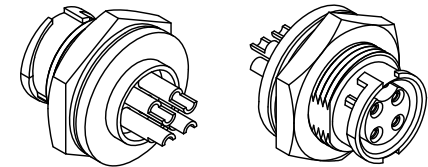
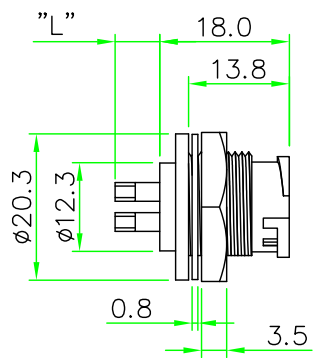
REV.	DESCRIPTION	DATE
A	ISSUE	Oct/28/2015



RECOMMEND
PANEL CUT OUT

RoHS
IP66~68

P/N	L
CBP	6.9
CBD	5.0

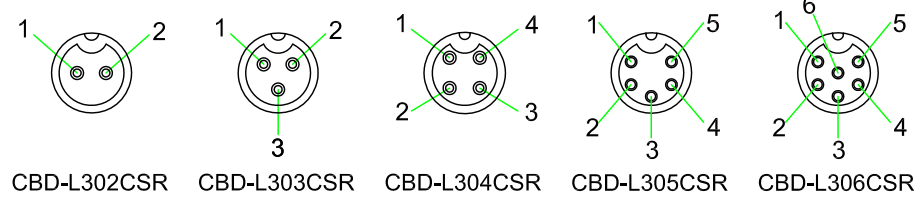
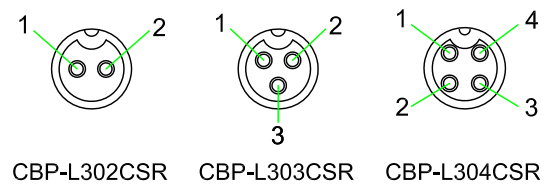


NOTES:

- ELECTRICAL CHARACTERISTICS:
CURRENT RATING: 5A / 10A
CONNECTOR TEMPERATURE RANGE: -25°C TO +85°C
DIELECTRIC WITHSTANDING VOLTAGE:
500V AC FOR ONE MINUTE
- PANEL THICKNESS MAX. 9.0
- HOW TO ORDER: CBx-L3xxCSR

- 02 - 2 PIN
- 03 - 3 PIN
- 04 - 4 PIN
- 05 - 5 PIN
- 06 - 6 PIN

P - CURRENT RATING 10A
D - CURRENT RATING 5A



PIN ASSIGNMENT FRONT VIEW
(前視圖)

4	HEX NUT	NYLON+GF.	BLACK	1	
3	GASKET	EPDM.	BLACK	1	
2	CONTACT	Brass, 6 u" Gold Plated. Female Contact.		N	
1	CONNECTOR	B Size Male Connector Insert. NYLON+GF.	BLACK	1	
No.	PART NAME	DESCRIPTION	COLOR	Q'TY	REMARKS

	UNIT: mm SCALE 1:1 UNLESS OTHERWISE SPECIFIED TOLERANCES: .x ± 0.5 .xx ± 0.25 .xxx ± 0.1 ANGLE ± 1° REV. A SHEET 1/1
TITLE :	Circular B Size Male Connector Female Pin Rear Mount Lock Type Round Flange Solder Bucket Pin
P/N:	CBx-L3xxCSR
DWG.NO:	CBx-L3xxCSR
DR.	Patty
CH.	ERIC
AP.	