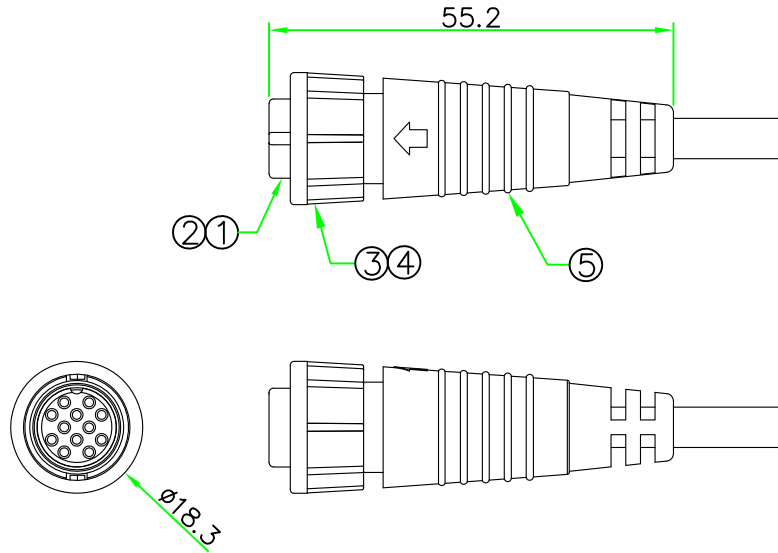


RoHS

IP66-68

| REV. | DESCRIPTION | DATE |
|------|-------------|-------------|
| A | ISSUE | Nov/26/2014 |
| | | |
| | | |



NOTES:

1. ELECTRICAL CHARACTERISTICS:

CURRENT RATING: 2A / 5A / 10A

CONNECTOR TEMPERATURE RANGE: -20°C TO +80°C

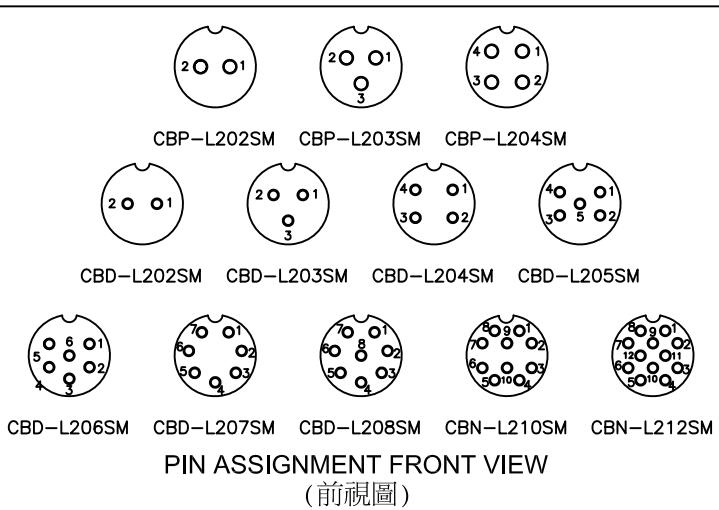
DIELECTRIC WITHSTANDING VOLTAGE:

500V AC FOR ONE MINUTE


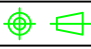
2. HOW TO ORDER: CBx-L2xxSM

- 02 - 2 PIN
- 03 - 3 PIN
- 04 - 4 PIN
- 05 - 5 PIN
- 06 - 6 PIN
- 07 - 7 PIN
- 08 - 8 PIN
- 10 - 10 PIN
- 12 - 12 PIN

- P - CURRENT RATING 10A
- D - CURRENT RATING 5A
- N - CURRENT RATING 2A



| 5 | OVERMOLD | PVC or PU. | BLACK | 1 | |
|-----|-----------|---|-------|------|---------|
| 4 | LOCK NUT | NYLON+GF | BLACK | 1 | |
| 3 | O-RING | NBR. | BLACK | 1 | |
| 2 | CONTACT | Brass ,Female Pin. 6u" Gold Plated. | | N | |
| 1 | CONNECTOR | B Size Female Connector Insert, NYLON+GF. | BLACK | 1 | |
| No. | PART NAME | DESCRIPTION | COLOR | Q'TY | REMARKS |

|  <small>Votre partenaire électronique</small> | |
|---|--|
|  UNIT: mm | TITLE : Circular B Size Lock Type Female Connector Female Pin Molded Cable |
| SCALE 1:1 | P/N: CBx-L2xxSM |
| UNLESS OTHERWISE SPECIFIED TOLERANCES: .x ± 0.25 .xx ± 0.1 .xxx ± 0.05 ANGLE ± 1° | |
| REV. A | SHEET 1/1 |
| DWG.NO: CBx-L2xxSM | |
| DR. Patty | CH. ERIC |
| AP. | |