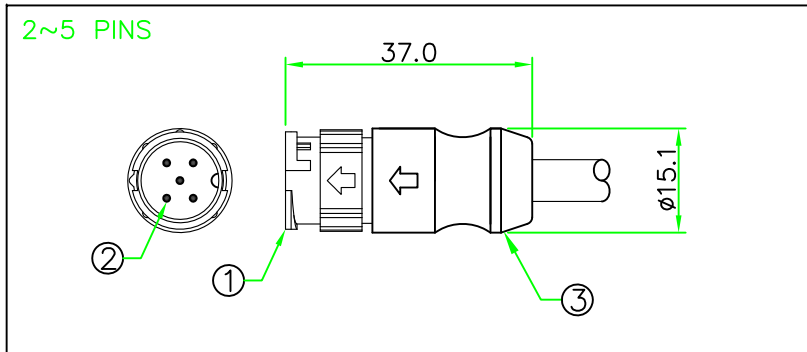
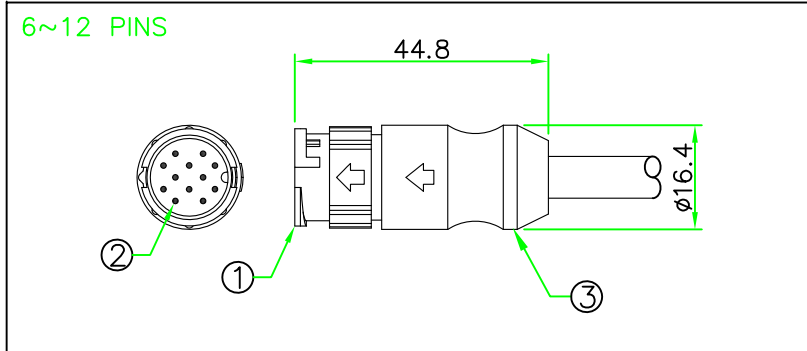


RoHS

IP66-68

A1



REV.	DESCRIPTION	DATE
A	ISSUE	Jun/07/2010
A1	Add Pin Assignment	Feb/13/2015

NOTES:

1. ELECTRICAL CHARACTERISTICS:

CURRENT RATING: 2A \ 5A \ 10A

CONNECTOR TEMPERATURE RANGE: -20°C TO +80°C

DIELECTRIC WITHSTANDING VOLTAGE:

500V AC FOR ONE MINUTE

2. HOW TO ORDER: CBx-L1xxSN

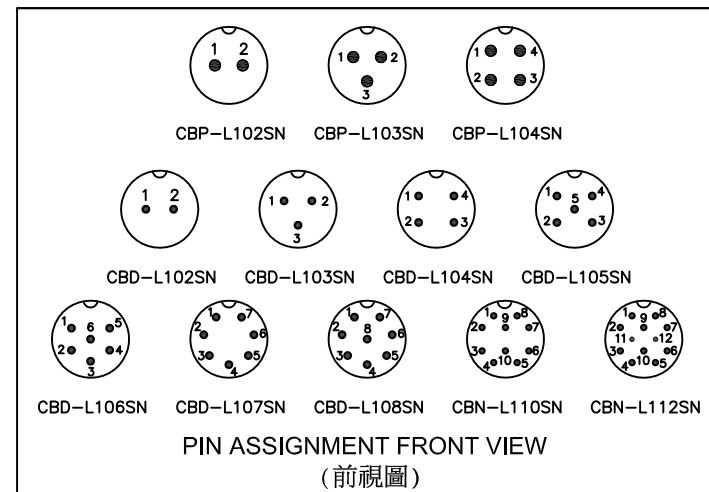
- 02 - 2 PIN
- 03 - 3 PIN
- 04 - 4 PIN
- 05 - 5 PIN
- 06 - 6 PIN
- 07 - 7 PIN
- 08 - 8 PIN
- 10 - 10 PIN
- 12 - 12 PIN

P - CURRENT RATING 10A

D - CURRENT RATING 5A

N - CURRENT RATING 2A

A1



	UNIT: mm	TITLE :	Circular B Size Lock Type Male Connector Male Pin Molded Cable
SCALE	1:1	P/N:	CBx-L1xxSN
UNLESS OTHERWISE SPECIFIED TOLERANCES: .x ± 0.25 .xx ± 0.1 .xxx ± 0.05 ANGLE ± 1'		DWG.NO:	CBx-L1xxSN
REV.	A1	SHEET	1/1
			DR. Patty CH. ERIC AP.

No.	PART NAME	DESCRIPTION	COLOR	Q'TY	REMARKS
3	OVERMOLD	PVC or PU.	BLACK	1	
2	CONTACT	Brass ,Male Pin. 6u" Gold Plated.		N	
1	CONNECTOR	B Size Male Connector Insert, NYLON+GF.	BLACK	1	