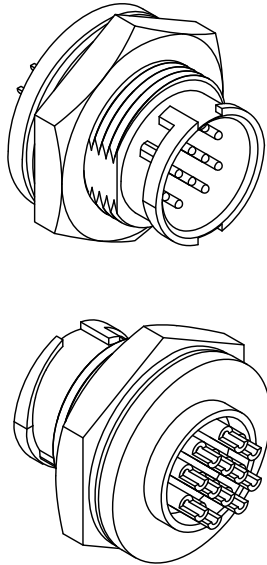
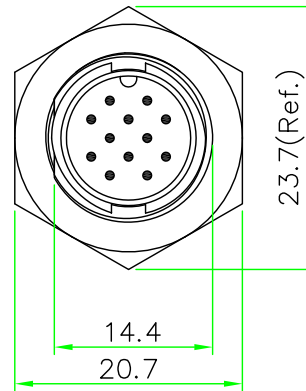
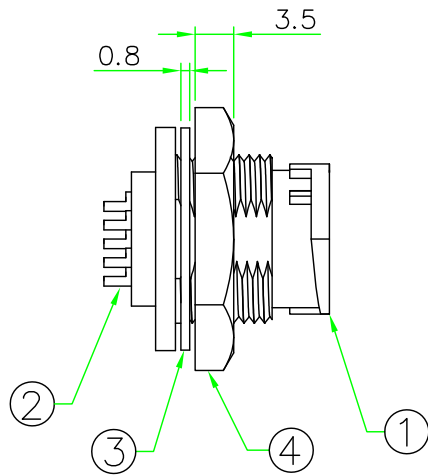
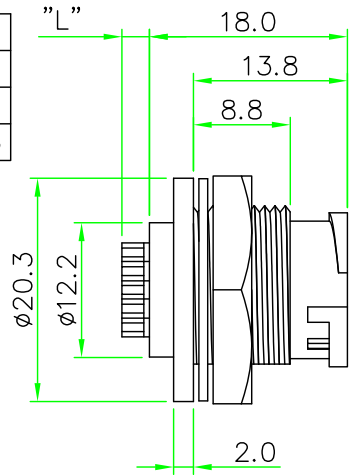


RECOMMENDED
PANEL CUT OUT

RoHS
IP66~68



| P/N | L |
|-----|-----|
| CBP | 6.6 |
| CBD | 1.6 |
| CBN | 2.5 |



| REV. | DESCRIPTION | DATE |
|------|-----------------------|-------------|
| A | ISSUE | Sep/25/2014 |
| A1 | Modify Contact length | Jun/29/2015 |

NOTES:

1. ELECTRICAL CHARACTERISTICS:

CURRENT RATING: 2A / 5A / 10A

CONNECTOR TEMPERATURE RANGE: -25°C TO +85°C

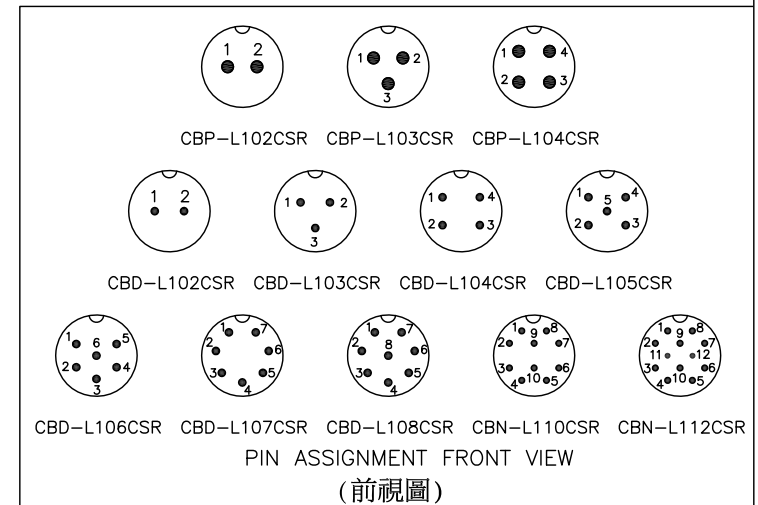
DIELECTRIC WITHSTANDING VOLTAGE:

500V AC FOR ONE MINUTE

2. HOW TO ORDER: CBx-L1xxCSR

- 02 - 2 PIN 07 - 7 PIN
- 03 - 3 PIN 08 - 8 PIN
- 04 - 4 PIN 10 - 10 PIN
- 05 - 5 PIN 12 - 12 PIN
- 06 - 6 PIN

- P - CURRENT RATING 10A
- D - CURRENT RATING 5A
- N - CURRENT RATING 2A



UNIT: mm

TITLE : Circular B Size Male Connector Male Pin
Rear Mount Lock Type Round Flange
Solder Bucket Pin

SCALE 1.5:1

UNLESS OTHERWISE SPECIFIED TOLERANCES:
.x ± 0.25 .xx ± 0.1
.xxx ± 0.05 ANGLE ± 1°
REV. SHEET

P/N: CBx-L1xxCSR

DR. Patty

CH. ERIC

DWG.NO: CBx-L1xxCSR

AP.

| No. | PART NAME | DESCRIPTION | COLOR | Q'TY | REMARKS |
|-----|-----------|------------------------------------------|-------|------|---------|
| 4 | HEX NUT | Nylon + GF. | BLACK | 1 | |
| 3 | GASKET | EPDM. | BLACK | 1 | |
| 2 | CONTACT | Brass , 6 u" Gold Plated . Male Contact. | | N | |
| 1 | CONNECTOR | B Size Male Connector Insert.NYLON+GF. | BLACK | 1 | |