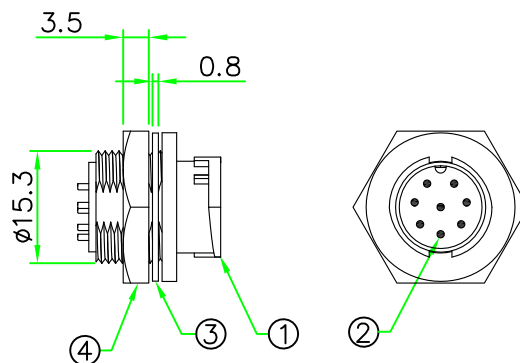
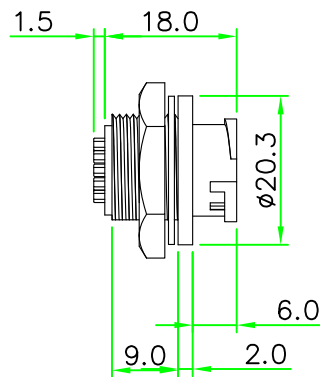
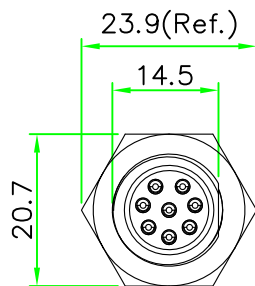
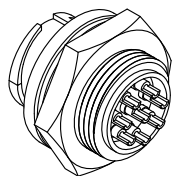
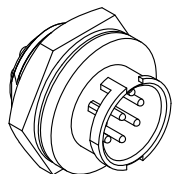


RECOMMENDED
PANEL CUT OUT

RoHS
IP66~68

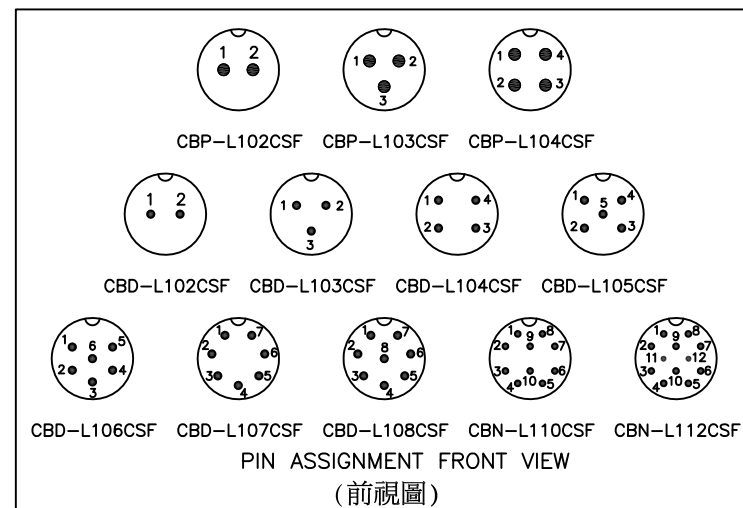


REV.	DESCRIPTION	DATE
A	ISSUE	Jul/15/2014

NOTES:

- ELECTRICAL CHARACTERISTICS:
CURRENT RATING: 2A / 5A / 10A
CONNECTOR TEMPERATURE RANGE: -40°C TO +105°C
DIELECTRIC WITHSTANDING VOLTAGE:
500V AC FOR ONE MINUTE
- HOW TO ORDER: CBx-L1xxCSF

- 02 - 2 PIN 07 - 7 PIN
- 03 - 3 PIN 08 - 8 PIN
- 04 - 4 PIN 10 - 10 PIN
- 05 - 5 PIN 12 - 12 PIN
- 06 - 6 PIN
- P - CURRENT RATING 10A
- D - CURRENT RATING 5A
- N - CURRENT RATING 2A



	UNIT: mm	TITLE : Circular B Size Male Connector Male Pin Lock Type Round Flange Front Panel Mount Solder Bucket Pin	
	SCALE 1:1	P/N: CBx-L1xxCSF	DR. Patty
UNLESS OTHERWISE SPECIFIED TOLERANCES: .x ± 0.25 .xx ± 0.1 .xxx ± 0.05 ANGLE ± 1°			CH. ERIC
REV. A	SHEET 1/1	DWG.NO: CBx-L1xxCSF	AP.

No.	PART NAME	DESCRIPTION	COLOR	Q'TY	REMARKS
4	HEX NUT	Nylon + GF.	BLACK	1	
3	GASKET	EPDM.	BLACK	1	
2	CONTACT	Brass , 6 u" Gold Plated . Male Contact.		N	
1	CONNECTOR	B Size Male Connector Insert.NYLON+GF.	BLACK	1	