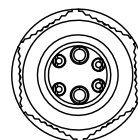
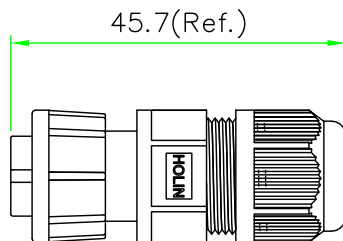
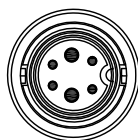
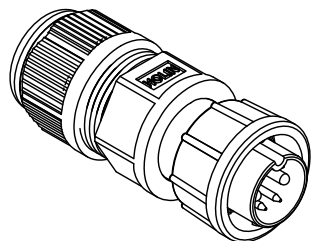


RoHS

IP66-68

REV.	DESCRIPTION	DATE
A	ISSUE	May/11/2015



NOTES:

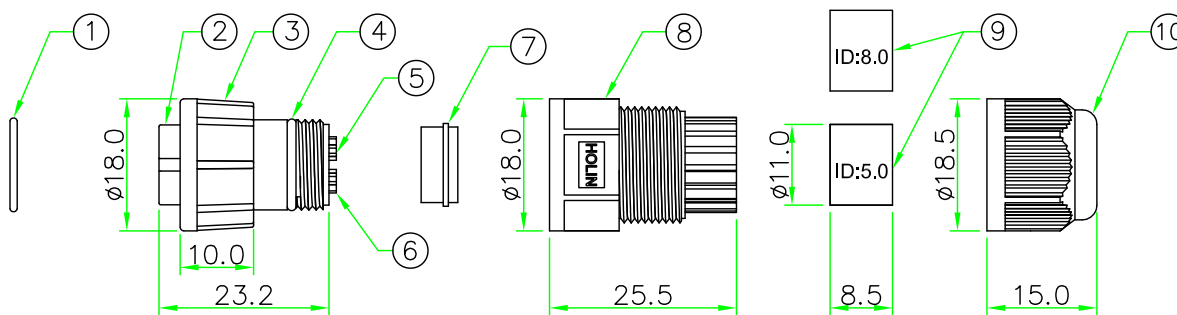
1. ELECTRICAL CHARACTERISTICS:

CURRENT RATING: 10A + 5A

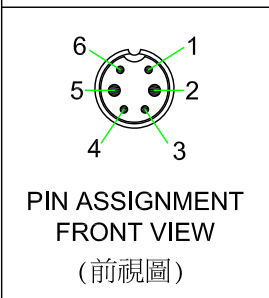
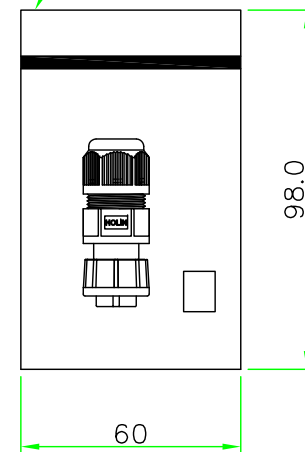
CONNECTOR TEMPERATURE RANGE: -20°C TO +80°C

DIELECTRIC WITHSTANDING VOLTAGE:

500V AC FOR ONE MINUTE



#2 Zipper PE Bag.



10	CLAMP NUT	NYLON+GF.	BLACK	1	
9	TUBE	Rubber (ID= 5.0 & 8.0mm)	BLACK	2	
8	HOOD	NYLON.	BLACK	1	
7	GASKET	EPDM	BLACK	1	
6	CONTACT	Brass , 6 u" Gold plated .Male Contact.		4	
5	CONTACT	Brass , 6 u" Gold plated .Male Contact.		2	
4	O-RING	NBR.	BLACK	1	
3	LOCK NUT	NYLON+GF.	BLACK	1	
2	CONNECTOR	B Size Female Connector Insert, NYLON+GF.	BLACK	1	
1	O-RING	NBR.	BLACK	1	
No.	PART NAME	DESCRIPTION	COLOR	Q'TY	REMARKS

CÉLION
Votre partenaire électronique

	UNIT: mm	TITLE : Circular B Size Lock Type Female Connector Male Pin Field Installable Plug
	SCALE 1:1	
UNLESS OTHERWISE SPECIFIED TOLERANCES: .X ± 0.25 .XX ± 0.1 .XXX ± 0.05 ANGLE ± 1°		P/N: CBPD-L424SA DWG.NO: CBPD-L424SA
REV. A	SHEET 1/1	