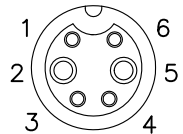
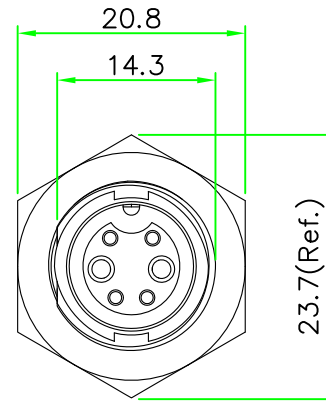
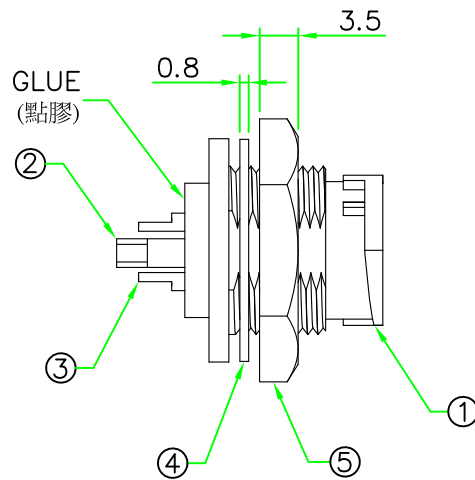
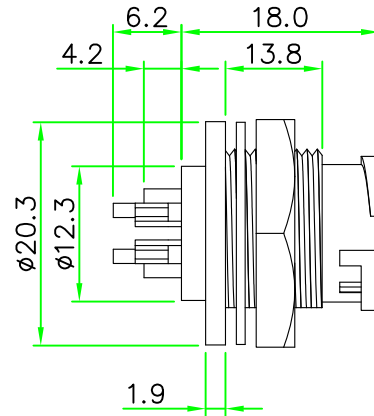


RECOMMENDED PANEL CUT OUT

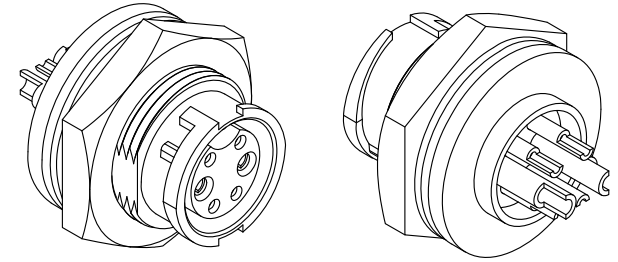
RoHS

IP66~68



Pin Assignment Front View (前視圖)

REV.	DESCRIPTION	DATE
A	ISSUE	Sep/19/2014



NOTES:

1. ELECTRICAL CHARACTERISTICS:

CURRENT RATING: 5A+10A

CONNECTOR TEMPERATURE RANGE: -25°C TO +85°C

DIELECTRIC WITHSTANDING VOLTAGE:

500V AC FOR ONE MINUTE

No.	PART NAME	DESCRIPTION	COLOR	Q'TY	REMARKS
5	HEX NUT	Nylon + GF.	BLACK	1	
4	GASKET	EPDM.	BLACK	1	
3	CONTACT	Brass , 6 u" Gold Plated . Female Contact.		4	
2	CONTACT	Brass , 6 u" Gold Plated . Female Contact.		2	
1	CONNECTOR	B Size Male Connector Insert.NYLON+GF.	BLACK	1	

		TITLE : Circular B Size Male Connector Female Pin Rear Mount Lock Type Round Flange Solder Bucket Pin	
	UNIT: mm	P/N: CBPD-L324CSR	
SCALE	1.5:1	DR. Patty	
UNLESS OTHERWISE SPECIFIED TOLERANCES: .X ± 0.25 .XX ± 0.1 .XXX ± 0.05 ANGLE ± 1°		CH. ERIC	
REV. A	SHEET 1/1	DWG.NO: CBPD-L324CSR	AP.