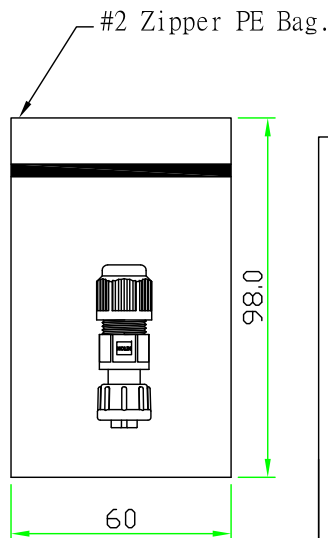
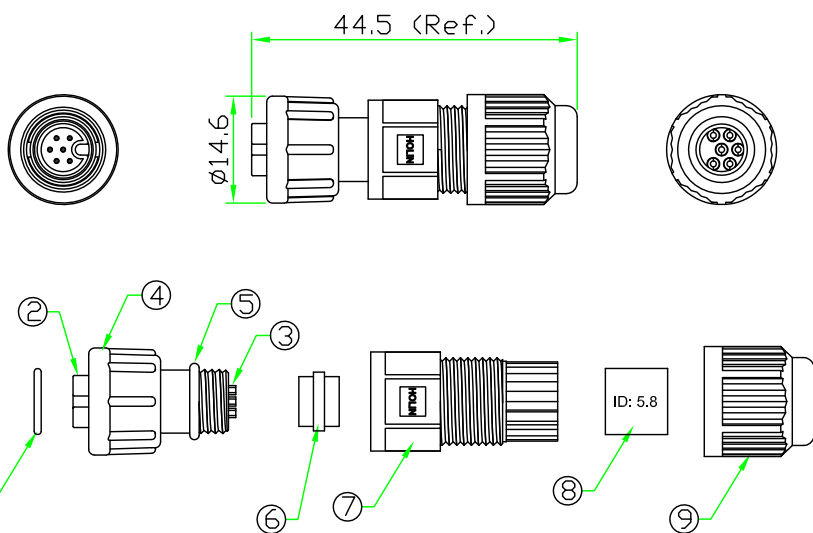
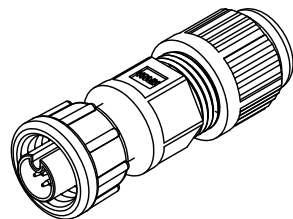


RoHS

IP66~68



REV.	DESCRIPTION	DATE
A	ISSUE	May/19/2015

NOTES:

1. ELECTRICAL CHARACTERISTICS:

CURRENT RATING: 2A / 5A

CONNECTOR TEMPERATURE RANGE: -20°C TO +80°C

DIELECTRIC WITHSTANDING VOLTAGE:

500V AC FOR ONE MINUTE

2. HOW TO ORDER: CAx-P4xxSA

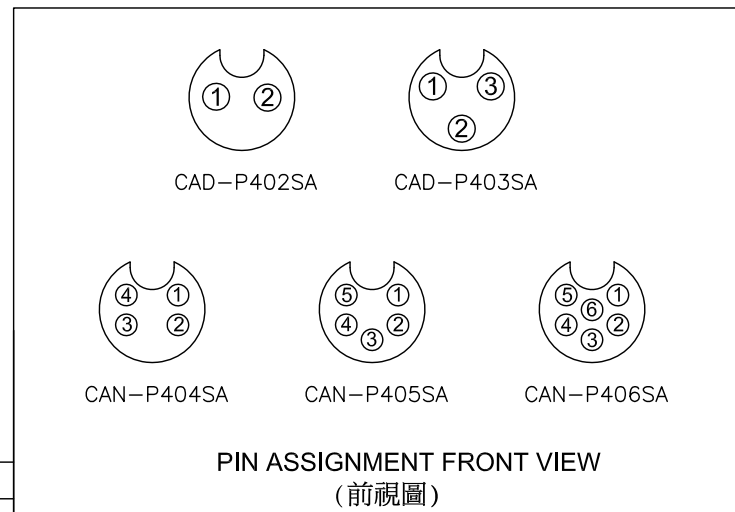
02 - 2 PINS 05 - 5 PINS

03 - 3 PINS 06 - 6 PINS

04 - 4 PINS

D - CURRENT RATING 5A

N - CURRENT RATING 2A



	UNIT: mm	TITLE : Circular A Size Screw Type Female Connector Male Pin Field Installable Plug	DR. Patty CH. ERIC
	SCALE 1:1		
UNLESS OTHERWISE SPECIFIED TOLERANCES: .x ± 0.25 .xx ± 0.1 .xxx ± 0.05 ANGLE ± 1°		P/N: CAx-P4xxSA	AP.
REV. A	SHEET 1/1		

No.	PART NAME	DESCRIPTION	COLOR	Q'TY	REMARKS
9	CLAMP NUT	NYLON+GF	BLACK	1	
8	TUBE	EPDM. (ID=5.8mm.)	BLACK	1	
7	HOOD	NYLON.	BLACK	1	
6	GASKET	EPDM.	BLACK	1	
5	O-RING	Silcon.	BLACK	1	
4	SCREW NUT	NYLON+GF	BLACK	1	
3	CONTACT	Brass ,Male Pin. 6u"Gold Plated.		N	
2	CONNECTOR	A Size Female Connector Insert, NYLON+GF.		1	
1	O-RING	Silcon.	BLACK	1	