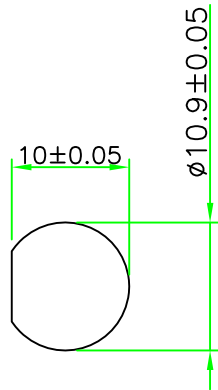
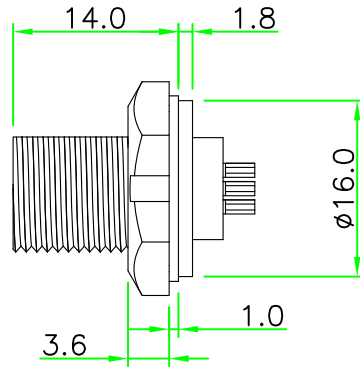


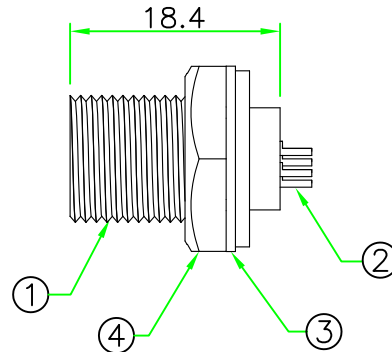
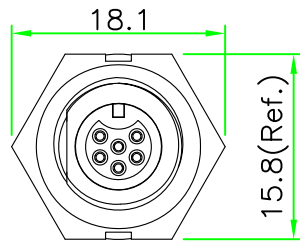
REV	DESCRIPTION	DATE
A	ISSUE	Apr/22/2014



PANEL CUT-OUT  
RECOMMENDED



**RoHS**  
**IP67**



**NOTES:**

**1. ELECTRICAL CHARACTERISTICS:**

CURRENT RATING: 2A / 5A

CONNECTOR TEMPERATURE RANGE: -40°C TO +105°C

DIELECTRIC WITHSTANDING VOLTAGE:

500V AC FOR ONE MINUTE

**2. HOW TO ORDER: CAx-P3xxCSR**

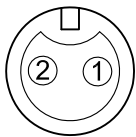
02 - 2 PIN 05 - 5 PIN

03 - 3 PIN 06 - 6 PIN

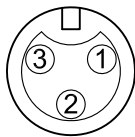
04 - 4 PIN

D - CURRENT RATING 5A

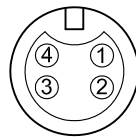
N - CURRENT RATING 2A



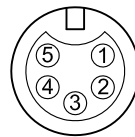
CAD-P302CSR



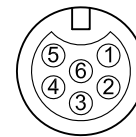
CAD-P303CSR



CAN-P304CSR



CAN-P305CSR



CAN-P306CSR

**Pin Assignment Front View**

4	HEX NUT	NYLON+GF.	BLACK	1	
3	GASKET	EPDM, BLACK	BLACK	1	
2	CONTACT	BRASS. FEMALE PIN. 6u" GOLD PLATED.		N	
1	CONNECTOR	CONNECTOR BODY, NYLON+GF.	BLACK	1	
No.	PART NAME	DESCRIPTION	COLOR	Q'TY	REMARKS



	UNIT: mm	TITLE Circular A Size Male Connector Female Pin Screw Type Rear Mount Round Flange Solder Bucket Pin
	SCALE 1.5:1	
UNLESS OTHERWISE SPECIFIED TOLERANCES: x ±0.2 xx ±0.1 xxx ±xxx ANGLE ± ___		P/N: <b>CAX-P3xxCSR</b>
REV. A	SHEET 1/1	
DWG.NO: <b>CAX-P3xxCSR</b>		DR. Patty CH. ERIC AP.