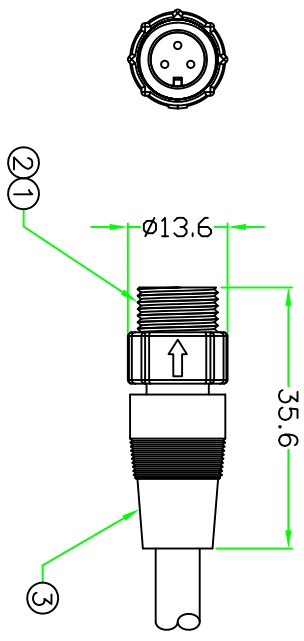


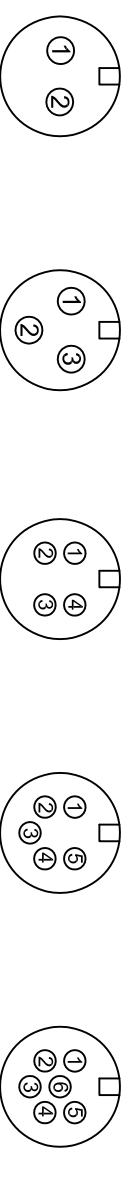
RoHS
IP67

REV.	DESCRIPTION	DATE
A	ISSUE	Dec/25/2006



- NOTES:
- ELECTRICAL CHARACTERISTICS:
CURRENT RATING: 2A / 5A
CONNECTOR TEMPERATURE RANGE: -40°C TO +105°C
DIELECTRIC WITHSTANDING VOLTAGE:
500V AC FOR ONE MINUTE
 - HOW TO ORDER: CAX-P1xxSN

- 02 - 2 PIN 05 - 5 PIN
- 03 - 3 PIN 06 - 6 PIN
- 04 - 4 PIN
- D - CURRENT RATING 5A
- N - CURRENT RATING 2A



Pin Assignment Front View

No.	PART NAME	DESCRIPTION	COLOR	QTY	REMARKS
3	OVERMOLD	PVC or PU	Black	1	
2	CONTACT	Brass, male pin , 6u" gold plating.		N	
1	CONNECTOR	Female connector, NYLON+GF.	Black	1	50-135-N1

		TITLE : CIRCULAR A SIZE MALE SCREW TYPE CABLE MOLDING CONNECTOR	
UNLESS OTHERWISE SPECIFIED TOLERANCES: X ±0.25 XX ± 0.1 XXX ± 0.05 ANGLE ± 1°X	SCALE: 1:1 UNIT: mm	P/N: CAX-P1xxSN DWG.NO: CAX-P1xxSN	DR: Jack CH: ERTJC AP:
REV: A SHEET: 1/1			