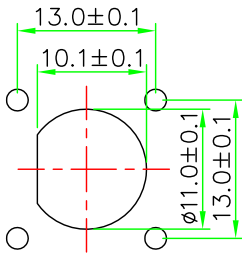


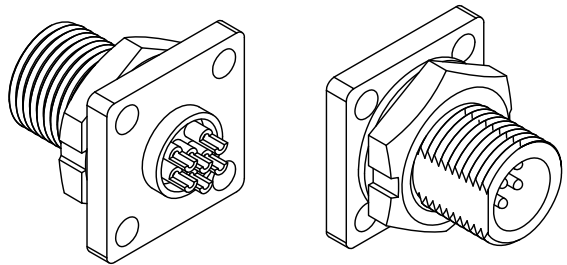
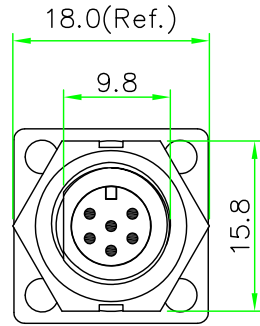
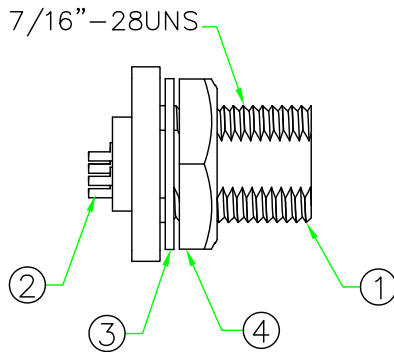
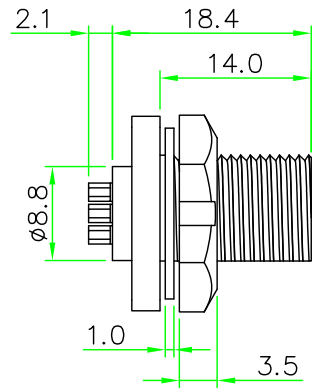
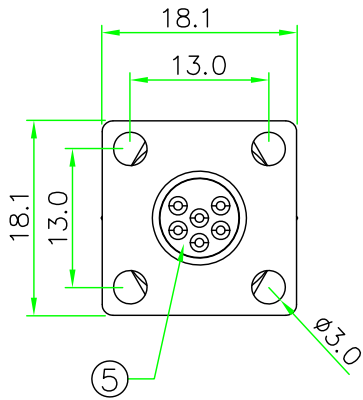
REV.	DESCRIPTION	DATE
A	ISSUE	Sep/22/2015



RECOMMENDED
PANEL CUT OUT

RoHS

IP66~68



NOTES:

- ELECTRICAL CHARACTERISTICS:
CURRENT RATING: 2A / 5A
CONNECTOR TEMPERATURE RANGE: -25°C TO +85°C
DIELECTRIC WITHSTANDING VOLTAGE:
500V AC FOR ONE MINUTE
- PANEL THICKNESS MAX. 4.5mm
- HOW TO ORDER: CAx-P1xxQSR
 - 02 - 2 PIN 04 - 4 PIN
 - 03 - 3 PIN 05 - 5 PIN
 - 06 - 6 PIN
 - D - CURRENT RATING 5A
 - N - CURRENT RATING 2A



CAD-P102QSR



CAD-P103QSR



CAN-P104QSR



CAN-P105QSR



CAN-P106QSR

Pin Assignment Front View
(前視圖)

No.	PART NAME	DESCRIPTION	COLOR	Q'TY	REMARKS
4	HEX NUT	NYLON + GF.	BLACK	1	
3	GASKET	EPDM.	BLACK	1	
2	CONTACT	Brass , 6 u" Gold Plated. Male Contact.		N	
1	CONNECTOR	A Size Male Connector Insert. NYLON+GF.	BLACK	1	



	UNIT: mm	TITLE :	Circular A Size Male Connector Male Pin Rear Mount Screw Type Square Flange Solder Bucket Pin
SCALE	1.5:1	P/N:	CAx-P1xxQSR
UNLESS OTHERWISE SPECIFIED TOLERANCES: .x ± 0.5 .xx ± 0.25 .xxx ± 0.1 ANGLE ± 1°	REV. A	SHEET 1/1	DWG.NO: CAx-P1xxQSR
			DR. Patty CH. ERIC AP.