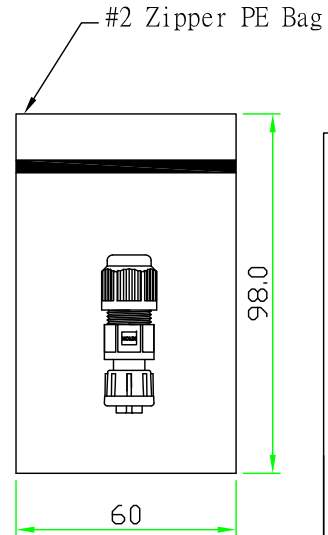
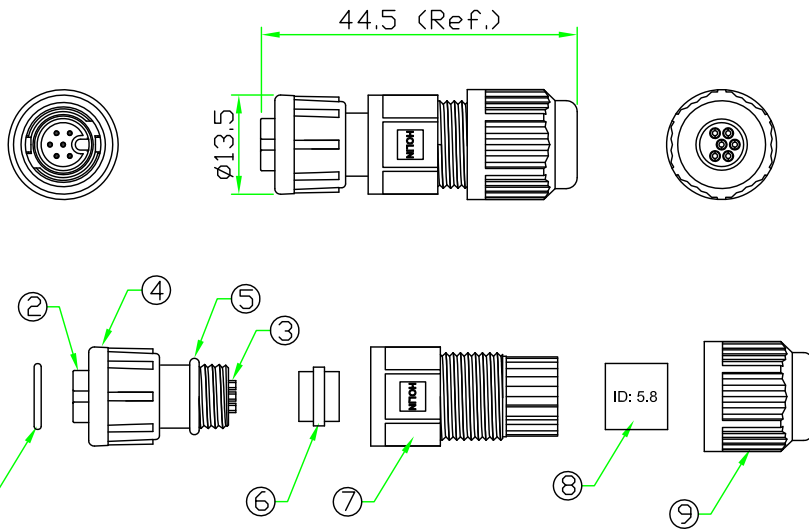
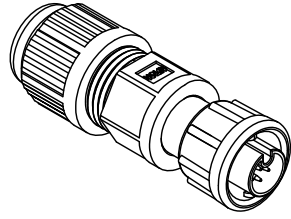


RoHS

IP66~68



REV.	DESCRIPTION	DATE
A	ISSUE	May/19/2015

NOTES:

1. ELECTRICAL CHARACTERISTICS:

CURRENT RATING: 2A / 5A

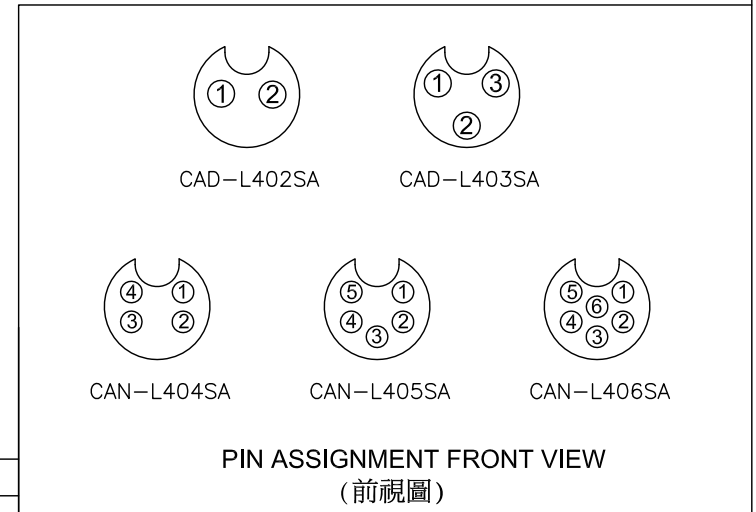
CONNECTOR TEMPERATURE RANGE: -20°C TO +80°C

DIELECTRIC WITHSTANDING VOLTAGE:

500V AC FOR ONE MINUTE

2. HOW TO ORDER: CAX-L4xxSA

- 02 - 2 PINS    05 - 5 PINS
- 03 - 3 PINS    06 - 6 PINS
- 04 - 4 PINS
- D - CURRENT RATING 5A
- N - CURRENT RATING 2A



UNIT: mm

TITLE : Circular A Size Lock Type Female Connector Male Pin Field Installable Plug

SCALE 1:1

UNLESS OTHERWISE SPECIFIED TOLERANCES:  
 .x ± 0.25 .xx ± 0.1  
 .xxx ± 0.05 ANGLE ± 1°  
 REV. SHEET

P/N: CAX-L4xxSA

DR. Patty  
CH. ERIC

REV. A SHEET 1/1

DWG.NO: CAX-L4xxSA

AP.

9	CLAMP NUT	NYLON+GF	BLACK	1	
8	TUBE	EPDM. ( ID=5.8mm.)	BLACK	1	
7	HOOD	NYLON.	BLACK	1	
6	GASKET	EPDM.	BLACK	1	
5	O-RING	Silcon.	BLACK	1	
4	LOCK NUT	NYLON+GF	BLACK	1	
3	CONTACT	Brass ,Male Pin. 6u"Gold Plated.		N	
2	CONNECTOR	A Size Female Connector Insert, NYLON+GF.		1	
1	O-RING	Silcon.	BLACK	1	
No.	PART NAME	DESCRIPTION	COLOR	Q'TY	REMARKS