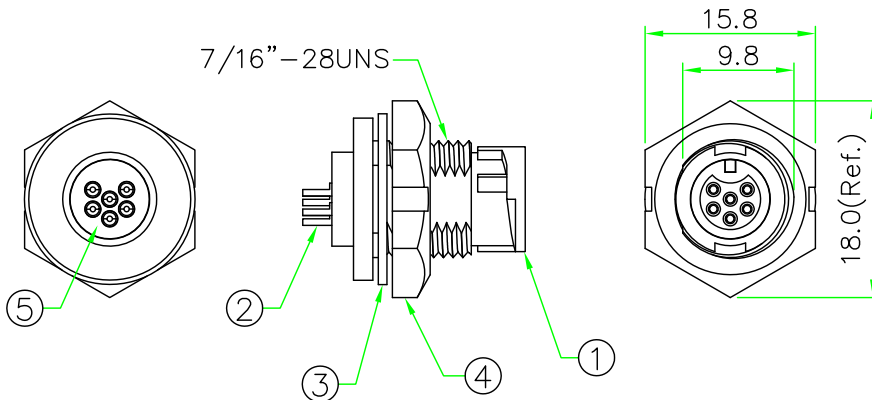
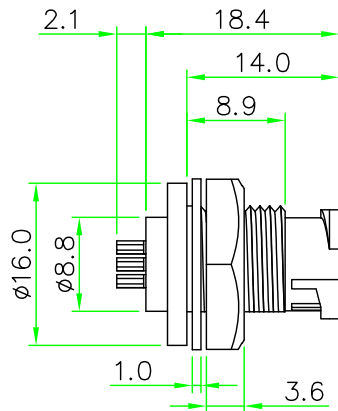


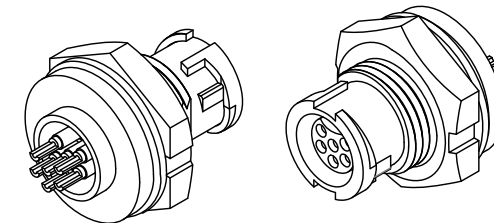
RECOMMENDED  
PANEL CUT OUT

**RoHS**  
**IP66~68**



REV.	DESCRIPTION	DATE
A	ISSUE	Sep/22/2015

**Ref.**



**NOTES:**

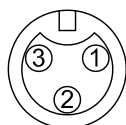
- ELECTRICAL CHARACTERISTICS:  
CURRENT RATING: 2A / 5A  
CONNECTOR TEMPERATURE RANGE: -25°C TO +85°C  
DIELECTRIC WITHSTANDING VOLTAGE:  
500V AC FOR ONE MINUTE
- PANEL THICKNESS MAX. 3.0mm
- HOW TO ORDER: CAx-L3xxCSR

- 02 - 2 PIN    04 - 4 PIN
- 03 - 3 PIN    05 - 5 PIN
- 06 - 6 PIN

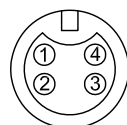
- D - CURRENT RATING 5A
- N - CURRENT RATING 2A



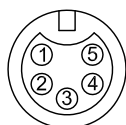
CAD-L302CSR



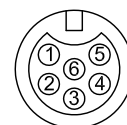
CAD-L303CSR



CAN-L304CSR



CAN-L305CSR



CAN-L306CSR

Pin Assignment Front View  
(前視圖)

No.	PART NAME	DESCRIPTION	COLOR	Q'TY	REMARKS
5	GLUE	EPOXY.	BLACK		
4	HEX NUT	Nylon + GF.	BLACK	1	
3	GASKET	EPDM.	BLACK	1	
2	CONTACT	Brass, 6 u" Gold Plated. Female Contact.		N	
1	CONNECTOR	A Size Male Connector Insert. NYLON+GF.	BLACK	1	

Voire performance électronique

	UNIT: mm	TITLE : Circular A Size Male Connector Female Pin Rear Mount Lock Type Round Flange Solder Bucket Pin	
SCALE	1.5:1	P/N: CAx-L3xxCSR	
UNLESS OTHERWISE SPECIFIED TOLERANCES: x ± 0.5    xx ± 0.25 xxx ± 0.1    ANGLE ± 1°		DR. Patty	
REV. A	SHEET 1/1	CH. ERIC	
		DWG.NO: CAx-L3xxCSR	
		AP.	