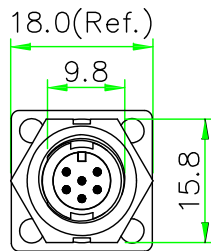
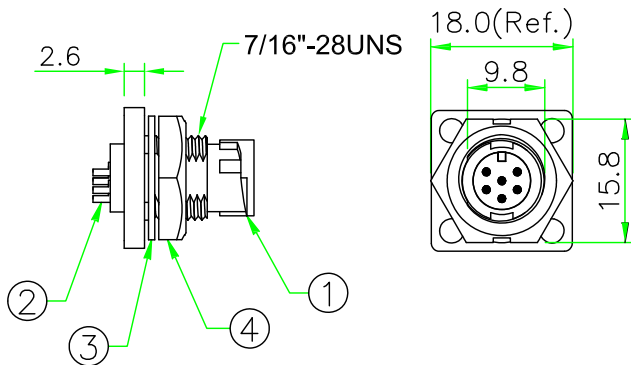
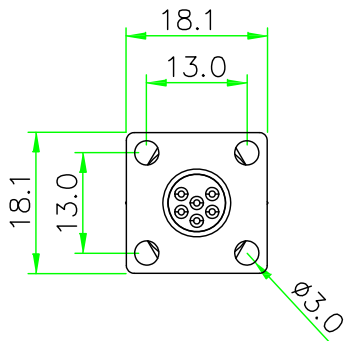
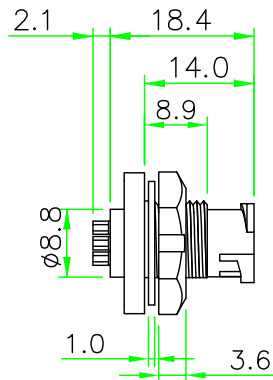


RECOMMENDED
PANEL CUT OUT

RoHS

IP66~68



REV.	DESCRIPTION	DATE
A	ISSUE	Sep/02/2015

NOTES:

1. ELECTRICAL CHARACTERISTICS:

CURRENT RATING: 2A / 5A

CONNECTOR TEMPERATURE RANGE: -25°C TO +85°C

DIELECTRIC WITHSTANDING VOLTAGE:

500V AC FOR ONE MINUTE

2. MAXIMUM PANEL THICKNESS:3.2mm

3. HOW TO ORDER: CAx-L1xxQSR

- 02 - 2 PIN 04 - 4 PIN
- 03 - 3 PIN 05 - 5 PIN
- 06 - 6 PIN

D - CURRENT RATING 5A

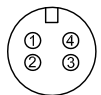
N - CURRENT RATING 2A



CAD-L102QSR



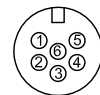
CAD-L103QSR



CAN-L104QSR



CAN-L105QSR



CAN-L106QSR

PIN ASSIGNMENT FRONT VIEW

(前視圖)



UNIT: mm

TITLE Circular A Size Male Connector Male Pin
Rear Mount Lock Type Square Flange
Solder Bucket Pin

SCALE 1:1

UNLESS OTHERWISE SPECIFIED TOLERANCES:
.x ± 0.5 .xx ± 0.25
.xxx ± 0.1 ANGLE ± 1°

P/N: CAx-L1xxQSR

DR. Patty

CH. ERIC

DWG.NO: CAx-L1xxQSR

AP.

4	HEX NUT	NYLON+GF.	BLACK	1	
3	GASKET	EPDM.	BLACK	1	
2	CONTACT	Brass, 6 u" Gold Plated. Male Contact.		N	
1	CONNECTOR	A Size Male Connector Insert. NYLON+GF.	BLACK	1	
No.	PART NAME	DESCRIPTION	COLOR	Q'TY	REMARKS

REV. A

SHEET 1/1