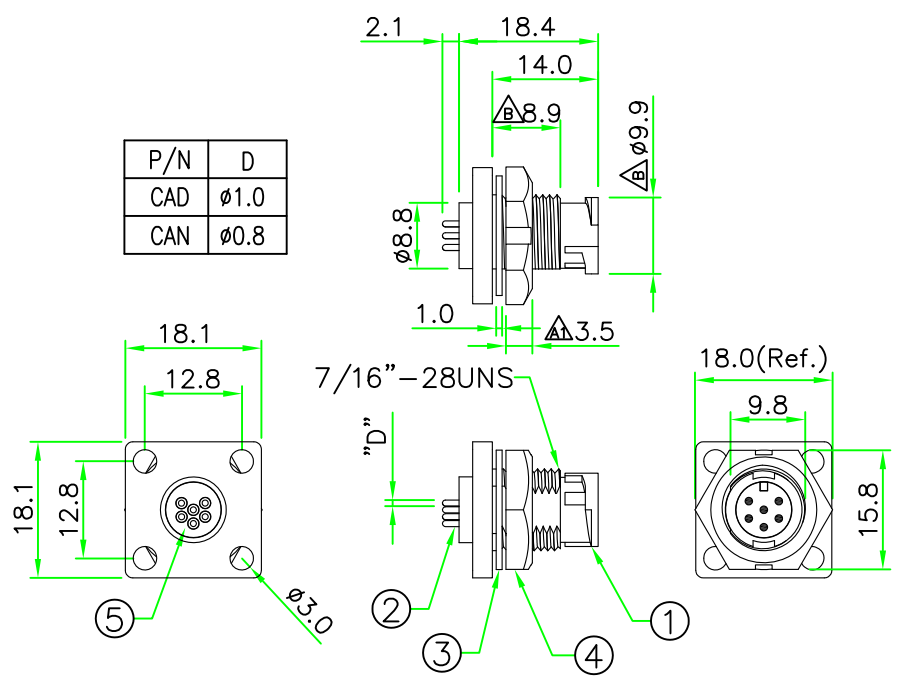


RECOMMENDED
PANEL CUT OUT

RoHS
IP66~68

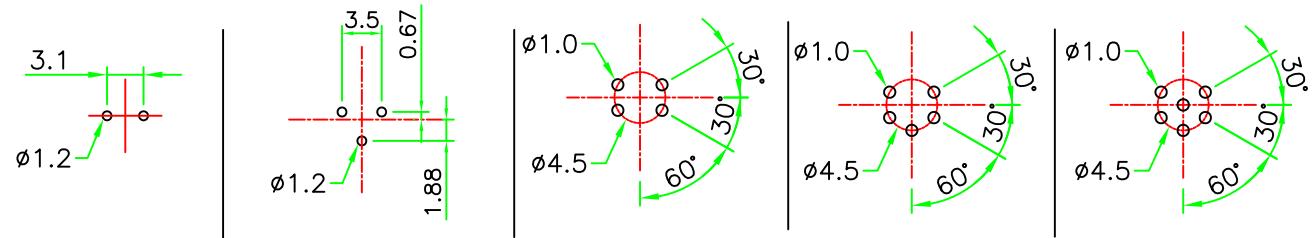
OLD P/N:CAx-L1xxQP
(原型號)

| | |
|-----|------|
| P/N | D |
| CAD | ∅1.0 |
| CAN | ∅0.8 |

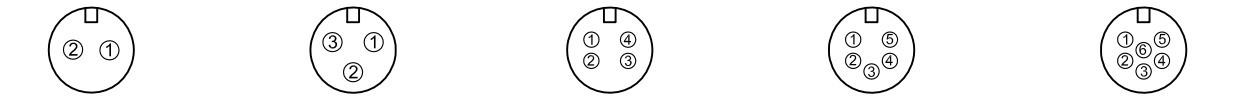


| REV. | DESCRIPTION | DATE |
|------|------------------|-------------|
| A | ISSUE | Jan/14/2015 |
| A1 | Modify dimension | Jul/07/2015 |
| B | Change Design | Oct/20/2015 |

NOTES:
 1. ELECTRICAL CHARACTERISTICS:
 CURRENT RATING: 2A / 5A
 CONNECTOR TEMPERATURE RANGE: -25°C TO +85°C
 DIELECTRIC WITHSTANDING VOLTAGE:
 500V AC FOR ONE MINUTE
 2. MAXIMUM PANEL THICKNESS:3.2mm
 3. HOW TO ORDER: CAx-L1xxQPR
 02 - 2 PIN 04 - 4 PIN
 03 - 3 PIN 05 - 5 PIN
 06 - 6 PIN
 D - CURRENT RATING 5A
 N - CURRENT RATING 2A



PCB LAYOUT



CAD-L102QPR CAD-L103QPR CAN-L104QPR CAN-L105QPR CAN-L106QPR

PIN ASSIGNMENT FRONT VIEW
(前視圖)

| No. | PART NAME | DESCRIPTION | COLOR | Q'TY | REMARKS |
|-----|-----------|--|-------|------|---------|
| 4 | HEX NUT | NYLON+GF. | BLACK | 1 | |
| 3 | GASKET | EPDM. | BLACK | 1 | |
| 2 | CONTACT | Brass , 6 u" Gold Plated . Male Contact. | | N | |
| 1 | CONNECTOR | A Size Male Connector Insert.NYLON+GF. | BLACK | 1 | |

| | | | | |
|--|-----------|---------|--|-----------|
| | UNIT: mm | TITLE | Circular A Size Male Connector Male Pin Rear Mount Lock Type Square Flange PCB Pin | |
| SCALE | 1:1 | P/N: | CAx-L1xxQPR | DR. Patty |
| UNLESS OTHERWISE SPECIFIED TOLERANCES: .x ± 0.5 .xx ± 0.25 .xxx ± 0.1 ANGLE ± 1' | | DWG.NO: | CAx-L1xxQPR | CH. ERIC |
| REV. B | SHEET 1/1 | | | AP. |