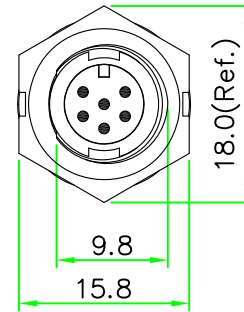
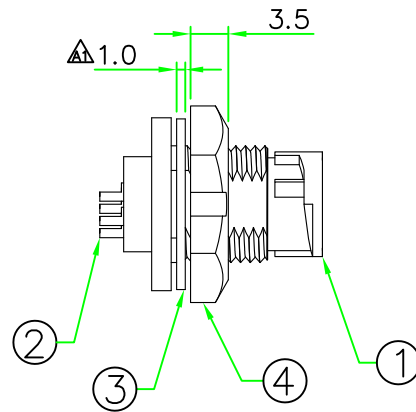
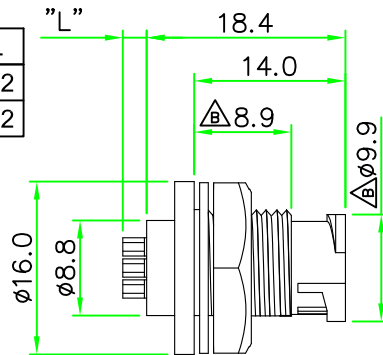


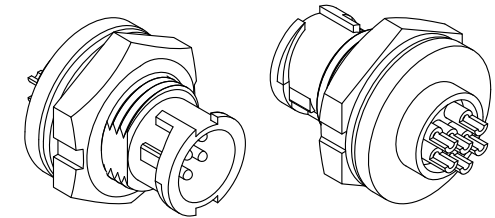
RECOMMENDED
PANEL CUT OUT

RoHS
IP66~68

P/N	L
CAD	2.2
CAN	2.2



REV.	DESCRIPTION	DATE
A	ISSUE	Sep/25/2014
A1	Modify Gasket Thickness	Jun/18/2015
B	Change Design	Oct/20/2015



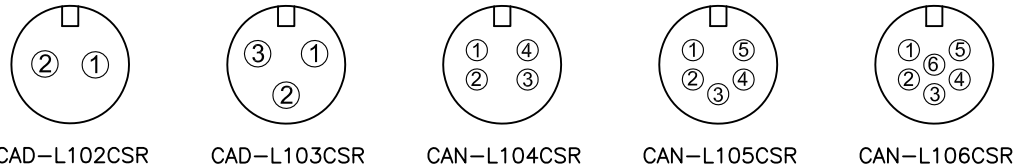
NOTES:

- ELECTRICAL CHARACTERISTICS:
CURRENT RATING: 2A / 5A
CONNECTOR TEMPERATURE RANGE: -25°C TO +85°C
DIELECTRIC WITHSTANDING VOLTAGE:
500V AC FOR ONE MINUTE

2. HOW TO ORDER: CAx-L1xxCSR

- 02 - 2 PIN 04 - 4 PIN
- 03 - 3 PIN 05 - 5 PIN
- 06 - 6 PIN

- D - CURRENT RATING 5A
- N - CURRENT RATING 2A



PIN ASSIGNMENT FRONT VIEW
(前視圖)

No.	PART NAME	DESCRIPTION	COLOR	Q'TY	REMARKS
4	HEX NUT	Nylon + GF.	BLACK	1	
3	GASKET	EPDM.	BLACK	1	
2	CONTACT	Brass , 6 u" Gold Plated . Male Contact.		N	
1	CONNECTOR	A Size Male Connector Insert.NYLON+GF.	BLACK	1	

		TITLE : Circular A Size Male Connector Male Pin Rear Mount Lock Type Round Flange Solder Bucket Pin	
	UNIT: mm		SCALE 1.5:1
UNLESS OTHERWISE SPECIFIED TOLERANCES: .x ± 0.5 .xx ± 0.25 .xxx ± 0.1 ANGLE ± 1°		P/N:	CAx-L1xxCSR
REV.	SHEET	DWG.NO:	CAx-L1xxCSR
B	1/1	DR.	Patty
		CH.	ERIC
		AP.	