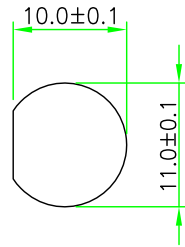
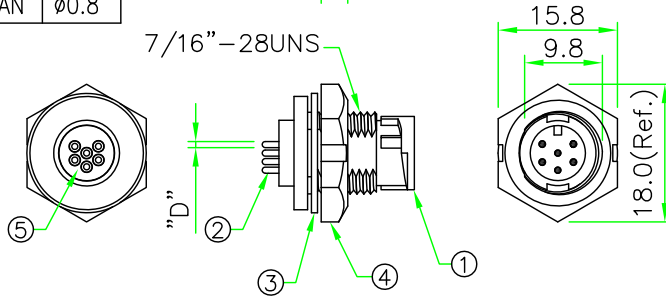
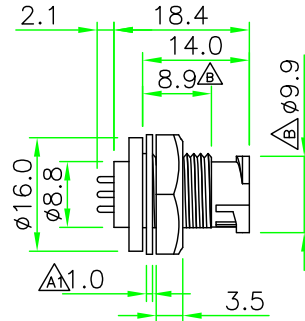


REV.	DESCRIPTION	DATE
A	ISSUE	Jan/14/2015
A1	Modify Gasket Thickness	Jun/18/2015
B	Change Design	Oct/20/2015



RECOMMENDED  
PANEL CUT OUT

P/N	D
CAD	ø1.0
CAN	ø0.8



**RoHS**  
**IP66~68**

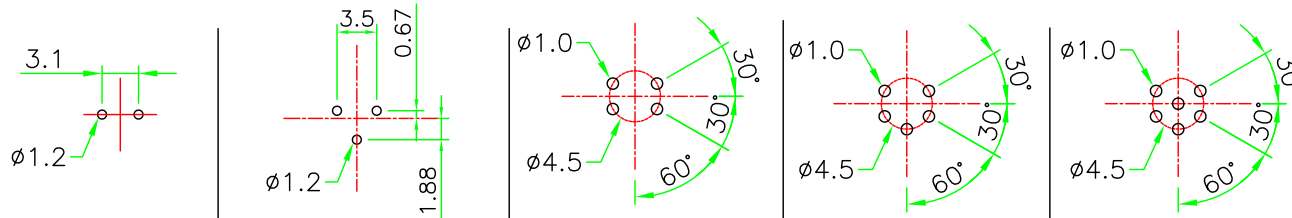
OLD P/N:CAx-L1xxCPR  
(原型號)

NOTES:

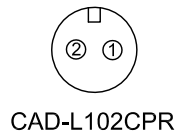
- ELECTRICAL CHARACTERISTICS:  
CURRENT RATING: 2A / 5A  
CONNECTOR TEMPERATURE RANGE: -25°C TO +85°C  
DIELECTRIC WITHSTANDING VOLTAGE:  
500V AC FOR ONE MINUTE
- MAXIMUM PANEL THICKNESS:3.2mm
- HOW TO ORDER: CAx-L1xxCPR

- 02 - 2 PIN    04 - 4 PIN
- 03 - 3 PIN    05 - 5 PIN
- 06 - 6 PIN

D - CURRENT RATING 5A  
N - CURRENT RATING 2A



PCB LAYOUT



CAD-L102CPR



CAD-L103CPR



CAN-L104CPR



CAN-L105CPR



CAN-L106CPR

PIN ASSIGNMENT FRONT VIEW

(前視圖)

4	HEX NUT	NYLON+GF.	BLACK	1	
3	GASKET	EPDM.	BLACK	1	
2	CONTACT	Brass , 6 u" Gold Plated . Male Contact.		N	
1	CONNECTOR	A Size Male Connector Insert.NYLON+GF.	BLACK	1	
No.	PART NAME	DESCRIPTION	COLOR	Q'TY	REMARKS



	UNIT: mm	TITLE	Circular A Size Male Connector Male Pin Rear Mount Lock Type Round Flange PCB Pin		
SCALE	1:1				
UNLESS OTHERWISE SPECIFIED TOLERANCES:		P/N:	CAX-L1xxCPR		
.x ± 0.5 .xx ± 0.25		DR.	Patty		
.xxx ± 0.1 ANGLE ± 1°		CH.	ERIC		
REV.	SHEET	DWG.NO:	CAX-L1xxCPR		
B	1/1	AP.			