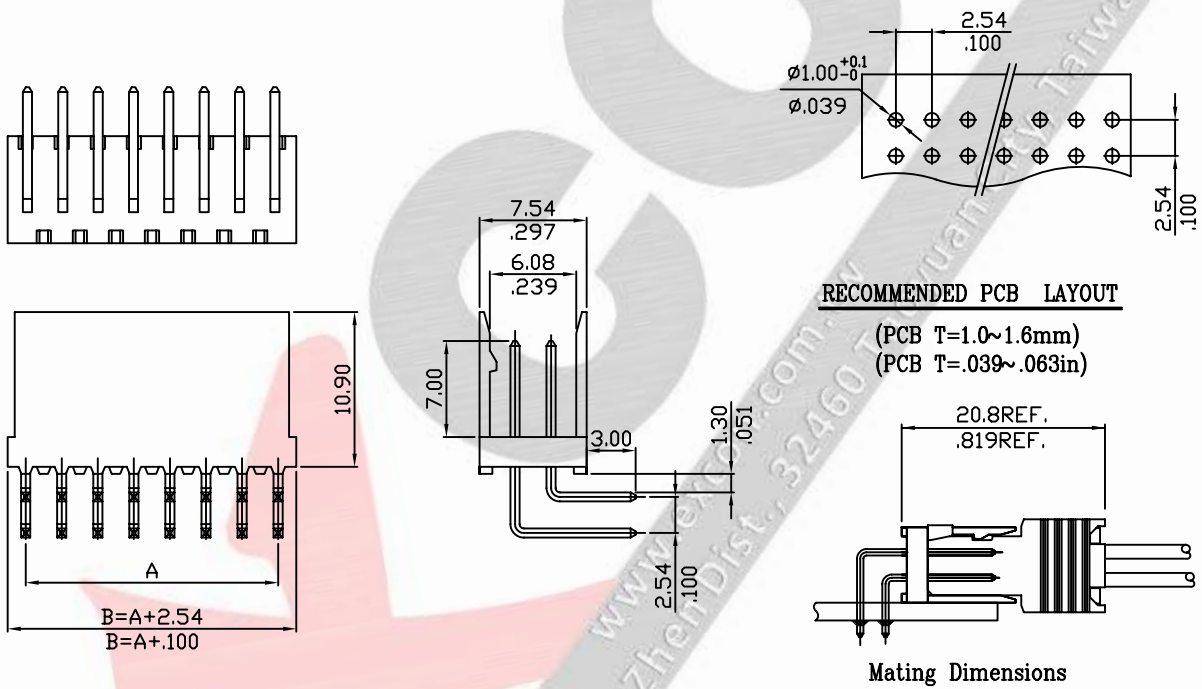
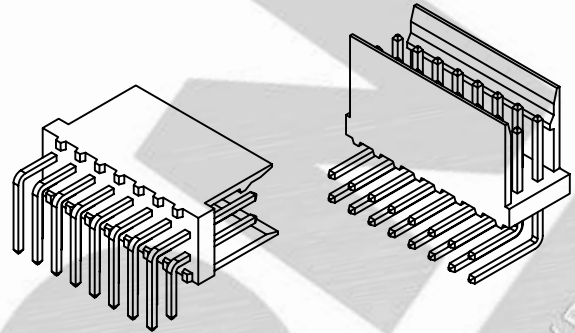


### Wafer (Right angle type)

1. Part No.: 7806xxWR209
2. Part Name: 7806 Wafer
3. Material: PBT UL 94V0  
Pin: Brass bronze, Tin plated
4. Color: Blue



### Ordering Information and Dimensions:

Part No.	Circuits	Dim A	Part No.	Circuits	Dim A	Part No.	Circuits	Dim A
780604WR209	4	5.08(.200)	780618WR209	18	22.86(.900)	780632WR209	32	40.64(1.600)
780606WR209	6	7.62(.300)	780620WR209	20	25.40(1.000)	780634WR209	34	43.18(1.700)
780608WR209	8	10.16(.400)	780622WR209	22	27.94(1.100)	780636WR209	36	45.72(1.800)
780610WR209	10	12.70(.500)	780624WR209	24	30.48(1.200)	780638WR209	38	48.26(1.900)
780612WR209	12	15.24(.600)	780626WR209	26	33.02(1.300)	780640WR209	40	50.80(2.000)
780614WR209	14	17.78(.700)	780628WR209	28	35.56(1.400)			
780616WR209	16	20.32(.800)	780630WR209	30	38.10(1.500)			

### Part Code Information:

7806-WW XX YYY

① ② ③ ④

① Series Name

② Circuits Number  
04~40

③ Product Type

WR=Wafer (Right angle type)

④ Material/Finishing/Color

203=PBT 94V-0,Black Color  
209=PBT 94V-0,Blue Color