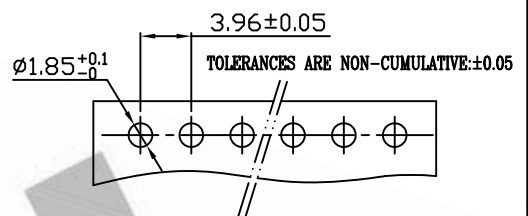
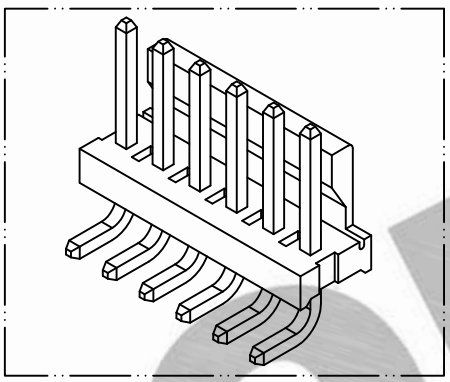
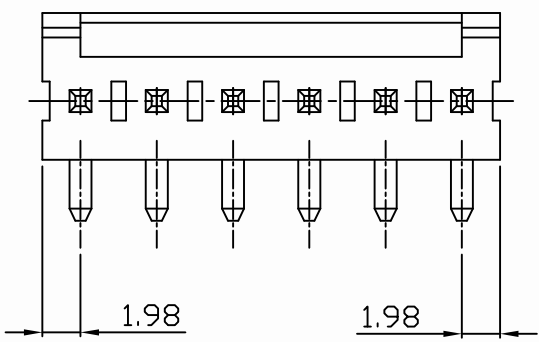


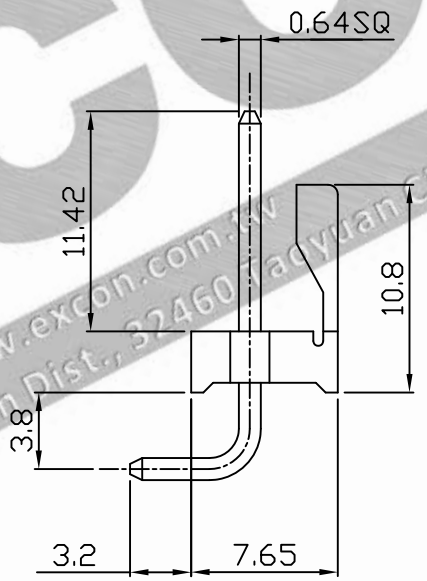
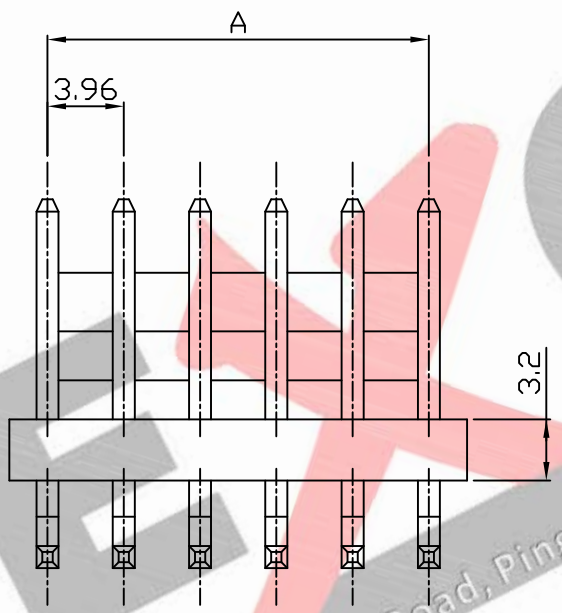
PART NO. 7805xxWR001
 DWG NO. C7805WR



RECOMMENDED PCB LAYOUT
 (PCB THK=1.0~1.6)

Dimensional &
 Ordering Information:

Part No.	Circuits	Dim A
780502WR001	2	3.96
780503WR001	3	7.92
780504WR001	4	11.88
780505WR001	5	15.84
780506WR001	6	19.80
780507WR001	7	23.76
780508WR001	8	27.72
780509WR001	9	31.68
780010WR001	10	35.64
780011WR001	11	39.60
780012WR001	12	43.56
780013WR001	13	47.52
780014WR001	14	51.48
780015WR001	15	55.44
780016WR001	16	59.40
780017WR001	17	63.36
780018WR001	18	67.32
780019WR001	19	71.28
780520WR001	20	75.24
780521WR001	21	79.20
780522WR001	22	83.16
780523WR001	23	87.12
780524WR001	24	91.08



NOTE:

1. Housing Material: Nylon 66 UL94V0
Pin/Pos Material: brass bronze.
2. Plated: Tin-plated 50u"min.
3. Withstand voltage: 1500V AC/minute.
4. Current rating: 5A AC/DC.
5. Voltage rating: 250V AC/DC
6. Color: Natural

UNLESS OTHERWISE SPECIFIED TOLERANCES			
3 PLACE ±0.5 ±0.10			
2 PLACE ±1.5 ±0.25			
1 PLACE ±2.0 ±0.50			
ANGLE DIM			
REV.	REVISION		DIS DATE
SCALE	REV.	PAGE:	UNIT M M
4/1	A	1	THIRD ANGLE PROJECTION

EXCON

EXCON TECHNOLOGY COMPANY

PART.NO

7805xxWR001