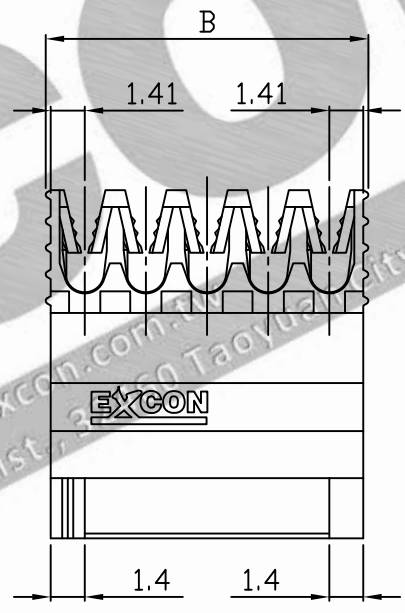
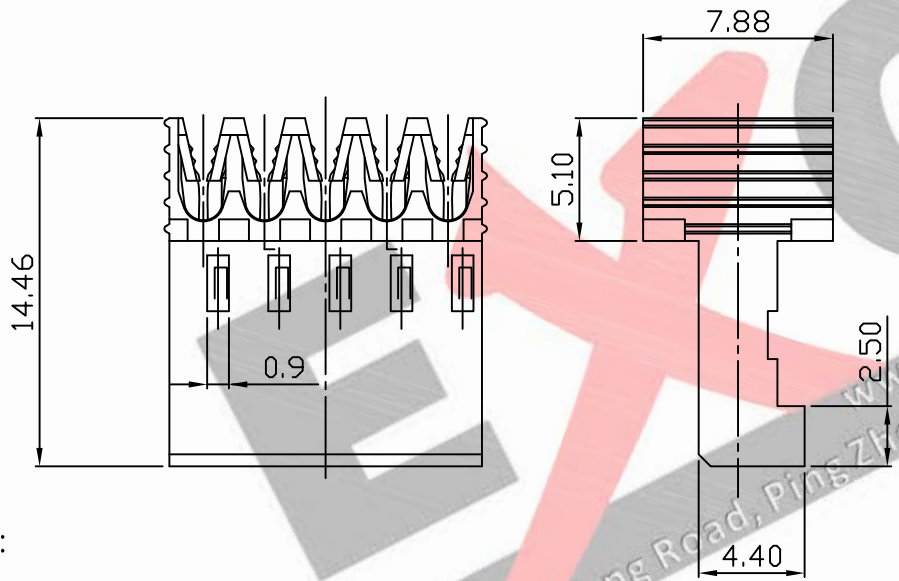
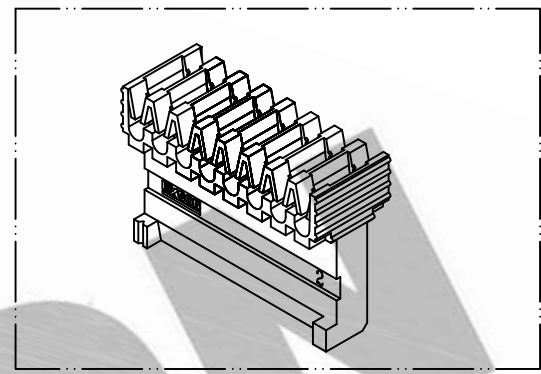
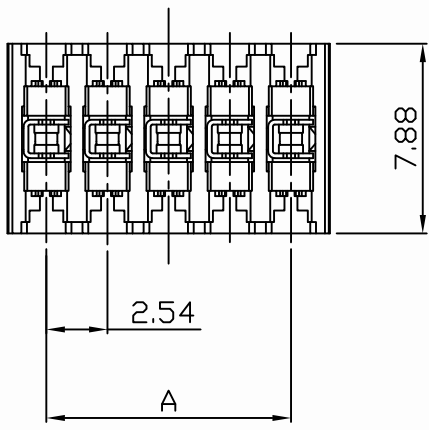


PART NO. 7803xxHB001
 DWG NO. C7803HB



Ordering Information and Dimensions:

Part No.	Circuits	Dim A	Dim B
780302HB001	2	2.54	5.88
780303HB001	3	5.08	8.42
780304HB001	4	7.62	10.96
780305HB001	5	10.16	13.50
780306HB001	6	12.70	16.04
780307HB001	7	15.24	18.58
780308HB001	8	17.78	21.12
780309HB001	9	20.32	23.66
780310HB001	10	22.86	26.20
780311HB001	11	25.40	28.74
780312HB001	12	27.94	31.28
780313HB001	13	30.48	33.82
780314HB001	14	33.02	36.36
780315HB001	15	35.56	38.90
780316HB001	16	38.10	41.44
780318HB001	18	43.18	46.52

NOTE:

1. Housing Material:Nylon 66 UL94V-0
2. Color: Nautral
3. Insulation resistance: 1000M ohm/min.
4. Withstand voltage: 1500V AC/minute.
5. Current retang: 3A AC/DC.
7. Voltage rating: 250V AC/DC
8. Use wire: AWG 24~26

				UNLESS OTHERWISE SPECIFIED TOLERANCES	
				3 PLACE ±0.5 ±0.10	
				2 PLACE ±1.5 ±0.25	
				1 PLACE ±2.0 ±0.50	
				ANGLE DIM	
REV.	REVISIONI		DIS	DATE	
SCALE	REV.	PAGE:	UNIT	MM	
4/1	A	1	THIRD ANGLE PROJECTION	C7803HB	

EXCON
 EXCON TECHNOLOGY COMPANY

PART.NO
 7803xxHB001