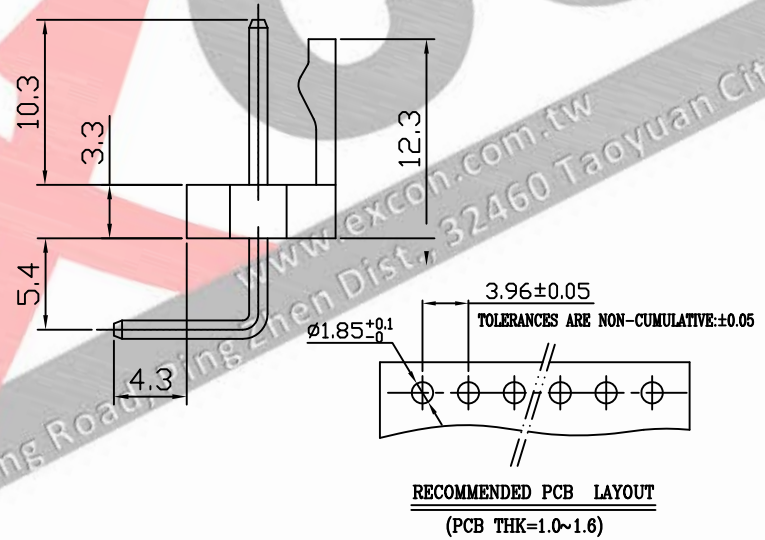
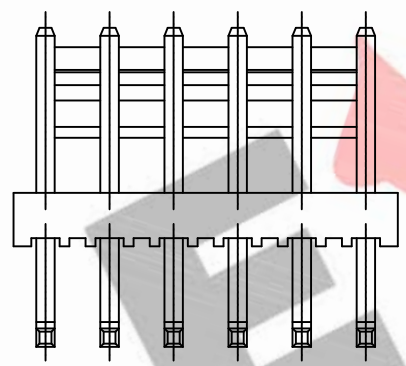
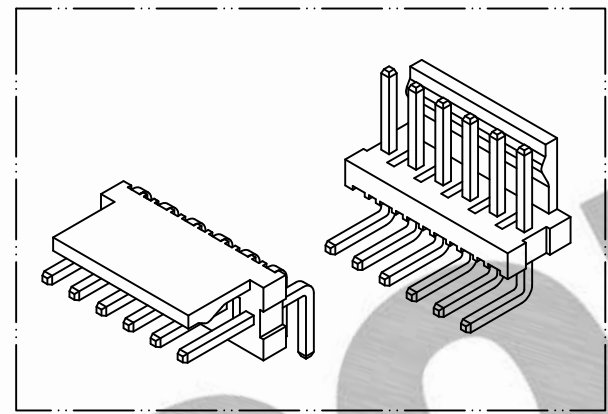
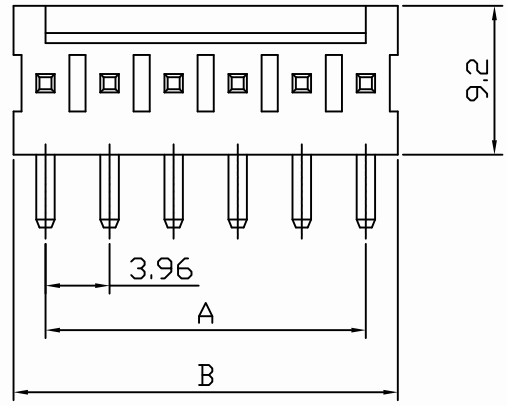


PART NO. 7802xxWR001  
 DWG NO. C7802WR



Dimensional & Ordering Information:

Part No.	Circuits	Dim A	Dim B
780202WR001	2	3.96	7.92
780203WR001	3	7.92	11.88
780204WR001	4	11.88	15.84
780205WR001	5	15.84	19.80
780206WR001	6	19.80	23.76
780207WR001	7	23.76	27.72
780208WR001	8	27.72	31.68
780209WR001	9	31.68	35.64
780210WR001	10	35.64	39.60
780211WR001	11	39.60	43.56
780212WR001	12	43.56	47.52
780213WR001	13	47.52	51.48
780214WR001	14	51.48	55.44
780215WR001	15	55.44	59.40
780216WR001	16	59.40	63.36
780217WR001	17	63.36	67.32
780218WR001	18	67.32	71.28
780219WR001	19	71.28	75.24
780220WR001	20	75.24	79.20
780221WR001	21	79.20	83.16
780222WR001	22	83.16	87.12
780223WR001	23	87.12	91.08
780224WR001	24	91.08	95.04

NOTE:

- Housing Material: Nylon 66 UL94V0  
Pin/Pos Material: brass bronze.
- Plated: Tin-plated 50u"min.
- Insulation resistance: 1000M Ω min.
- Withstand voltage: 1500V AC/minute.
- Current rating: 5A AC/DC.
- Voltage rating: 250V AC/DC

UNLESS OTHERWISE SPECIFIED TOLERANCES			
3 PLACE ±0.5 ±0.10			
2 PLACE ±1.5 ±0.35			
1 PLACE ±2.0 ±0.50			
ANGLE DIM			
REV.	REVISION		DIS DATE
SCALE	REV.	PAGE:	UNIT M M
4/1	A	1	THIRD ANGLE PROJECTION

**EXCON**

**EXCON TECHNOLOGY COMPANY**

PART.NO  
7802xxWR001

