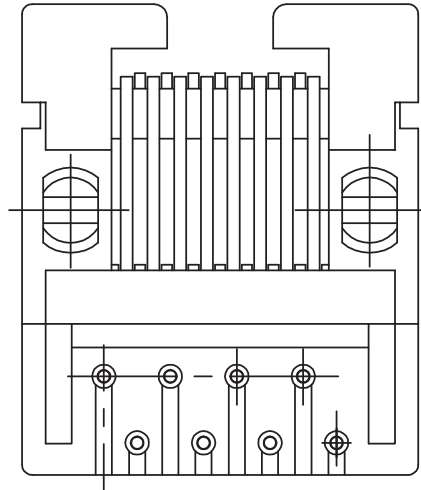
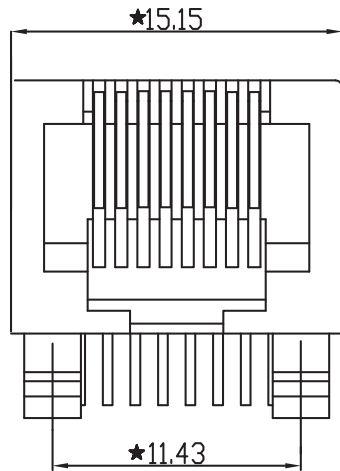


REACH & RoHS
COMPLIANT

| REV. | ECN / DESCRIPTION | BY | DATE |
|------|-------------------|-------|------------|
| A0 | NEW | MQ.QU | 2018.03.08 |



NOTES:

ELECTRICAL:

- VOLTAGE RATING : 125 VAC RMS.
- CURRENT RATING : 1.5 AMP.
- CONTACT RESISTANCE : 30 MILLIOHMS MAX.
- INSULATION RESISTANCE : 500 MEGOHMS MIN @ 500 VDC.
- DIELECTRIC STRENGTH : 1000 VAC RMS 50Hz or 60Hz, 1MIN.

MECHANICAL:

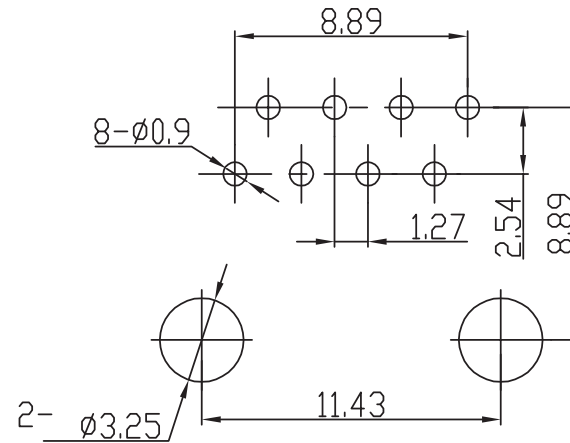
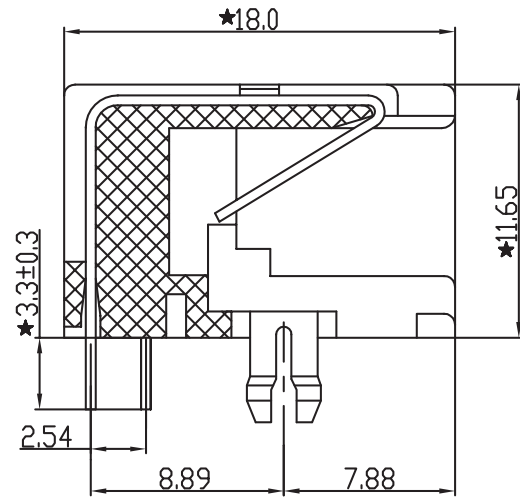
- HOUSING & INSERT MATERIAL : PBT UL94V-0.
- CONTACT MATERIAL : DIAMETER 0.45MM PHOSPHOR BRONZE
GOLD PLATING OVER NICKEL.
- MATING/UNMATING FORCE : 2.2KG.F MAX.
- RETENTION STRENGTH : 7.7KG.F MIN BETWEEN JACK AND PLUG.
- OPERATING LIFE : 600 CYCLES MIN.

ENVIRONMENTAL:

- STORAGE : -10°C ~ +40°C RELATIVE HUMIDITY<70%.
- OPERATION : -40°C ~ +70°C.

Remark:

- Tolerances Unless Otherwise Specified
.0±0.25 .00±0.20 .000±0.10
- The mark with ★ is the key inspection dimension for QC



PC Board Layout

CELION SAS

| | | | | | |
|-----------------------------|-------------------------------|-------------------|--|-----------------------|-------------------------|
| TITLE: 1X1 Tab-Down RJ45 | SIZE A4 | UNITS MM[INCH] | GENERAL TOLERANCES UNLESS SPECIFIED | | APPROVED BY: JP.Gong |
| | PART NO.: RJ45-5321 8P8CNL | SACLE 1:1 | REV A0 | x°±0.35 .x°±2.0° | CHECKED BY: TW.Xu |
| | REMARK: | SHEET 1/1 | | .xx±0.25 .xxx±0.10 | DESIGND BY: MQ.Qu |