

IDC CONNECTOR DIP F-TYPE

5420 SERIES - 2.00MM



Specifications

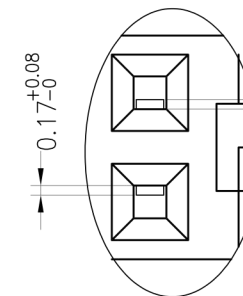
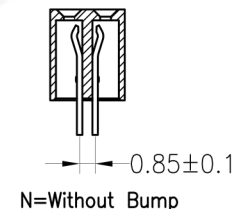
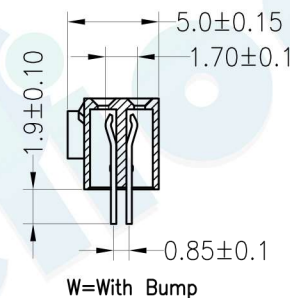
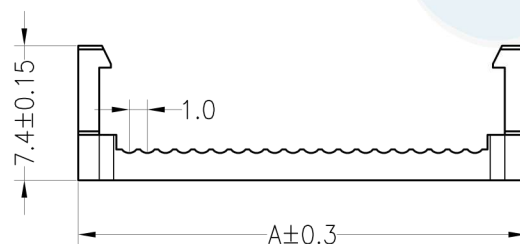
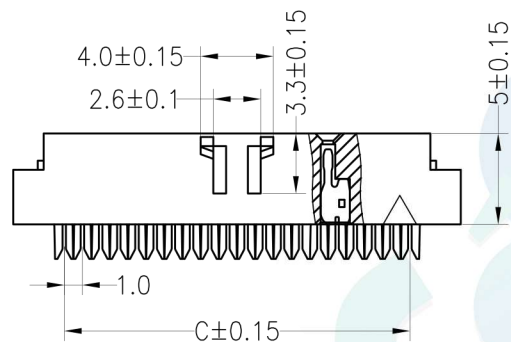
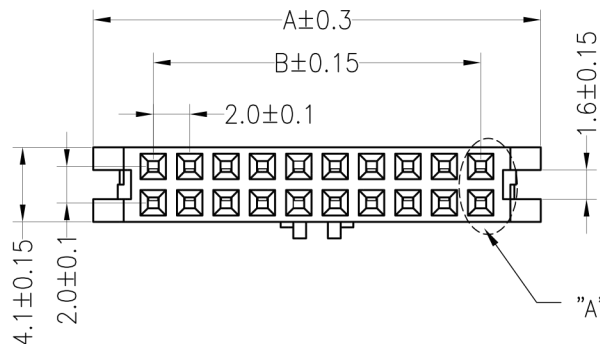
- Rated current: 1.0AMP
- Contact resistance: 20Ω max
- Withstand Voltage: 1000V AC/DC
- Insulation resistance: 1000MΩ min
- Operation temperature: -40°C to +105°C
- Contact material: Phosphore bronze
- Contact plating: Au Or Sn Over Ni
- Insulator material: Polyester (UL94V-0)
- Standard: PBT
- Max. processing Temp: 180°C for 30-60 seconds
200°C for 10 seconds

Ordering Information

5420DF - XX X B B X

1 2 3 4

- Connector Series**
- Number of pins (06→64P)**
- Contact plating**
 - A=Gold Flash/Ni
 - B=Gold/Ni
 - C=Ni
- Option Type**
 - W = With Bump
 - Ø = Without Bump



DETAIL "A"
Scale:3:1

Pin	Dimension mm		
	A	B	C
06	10.60	4.00	5.00
08	12.60	6.00	7.00
10	14.60	8.00	9.00
12	16.60	10.00	11.00
14	18.60	12.00	13.00
16	20.60	14.00	15.00
20	24.60	18.00	19.00
26	30.60	24.00	25.00
30	34.60	28.00	29.00
34	33.60	32.00	33.00
40	44.60	38.00	39.00
44	48.60	42.00	43.00
50	54.60	48.00	49.00
64	68.60	62.00	63.00

				OPERATION		DRAW	BEN	12.04.18	SCALE	FIT	 votre partenaire en électronique	
				X.X	±0.30				UNIT	mm		
				X.XX	±0.20	CHECK			SIZE	A4	PART NO.	5420DF - XXXBBX
				X.XXX	±0.10				SHEET	1/1		
A0	2012.04.18	NEW DRAWING		Angle	±3°	APPROVE			PROJ.		TITLE:	2.00 NPin FC(IDC) F-Type
REV	DATE	MODIFICATION DESCRIPTION		DIM	TOL							