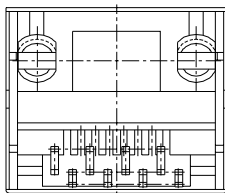
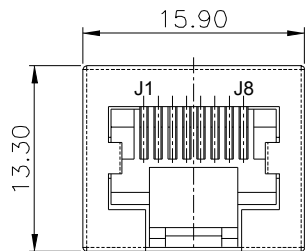


RoHS CONFORM

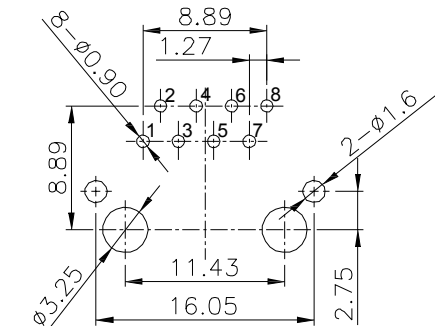
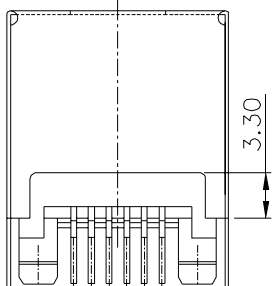
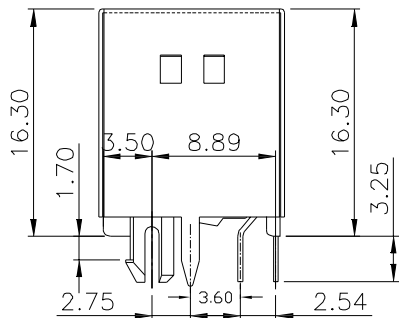
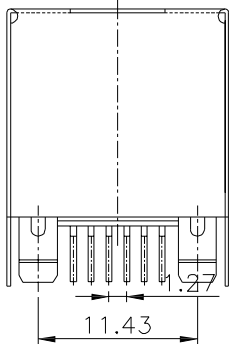
REV.	ECN / DESCRIPTION	BY	DATE



Material:
 Housing :PBT+30%GF,UL94V-0,Black.
 Plastic bracket :PBT+30%GF,UL94V-0, Red.
 Plug terminal:Gold plated wire,T=0.35mm , 6u" gold plating on contact area.
 Shell:Brass with nickel plated.

Machanical:
 Durability:750 cycles Min,12.5mm/minute.
 Operating temperature:-40 °C~+85 °C.
 Storage temperature:-40°C~+85°C.

Electrical:
 Voltage:125 Volts AC.
 Insulation Resistance:500 Mega ohms minimum initial after 500V DC for 1 minute.
 Low Level Contact Resistance:Single Terminal 30 milliohms maximum
 initial 50 milliohms maximum after durability test.



PCB LAYOUT

CELION SAS

TITLE: RJ45 1*1 8P8C	SIZE A4	UNITS MM[INCH]	GENERAL TOLERANCES UNLESS SPECIFIED		APPROVED BY: JP.Gong	
	PART NO.: RJ4552T1188GWA1DB4134	SACLE 1:1	REV A0	x±0.25 .x±0.20	x°±3.0° .x°±2.0°	CHECKED BY: Xu.TW
	DWG NO.:	SHEET 1/1		.xx±0.10 .xxx±0.05	.xx°±1.5° .xxx°±1.0°	DESIGND BY: Qu.mq