

MINI JUMPER OPEN TYPE

3814 SERIES - 1.27MM



Specifications

- Rated current: 1.0AMP
- Contact resistance: 20mΩ max
- Withstand Voltage: 500V AC/DC
- Insulation resistance: 1000MΩ min
- Operation temperature: -40°C to +105°C
- Contact material: Phosphore bronze
- Contact plating: Au Over Ni
- Insulator material: Polyester (UL94V-0)
- Standard: PBT
- Max. processing Temp: 180°C for 30-60 seconds
200°C for 10 seconds

Ordering Information

3814 X 1 - X X O 01

1
2
3
4
5

1. Connector Series

2. Plastics height

- A = 5.5mm

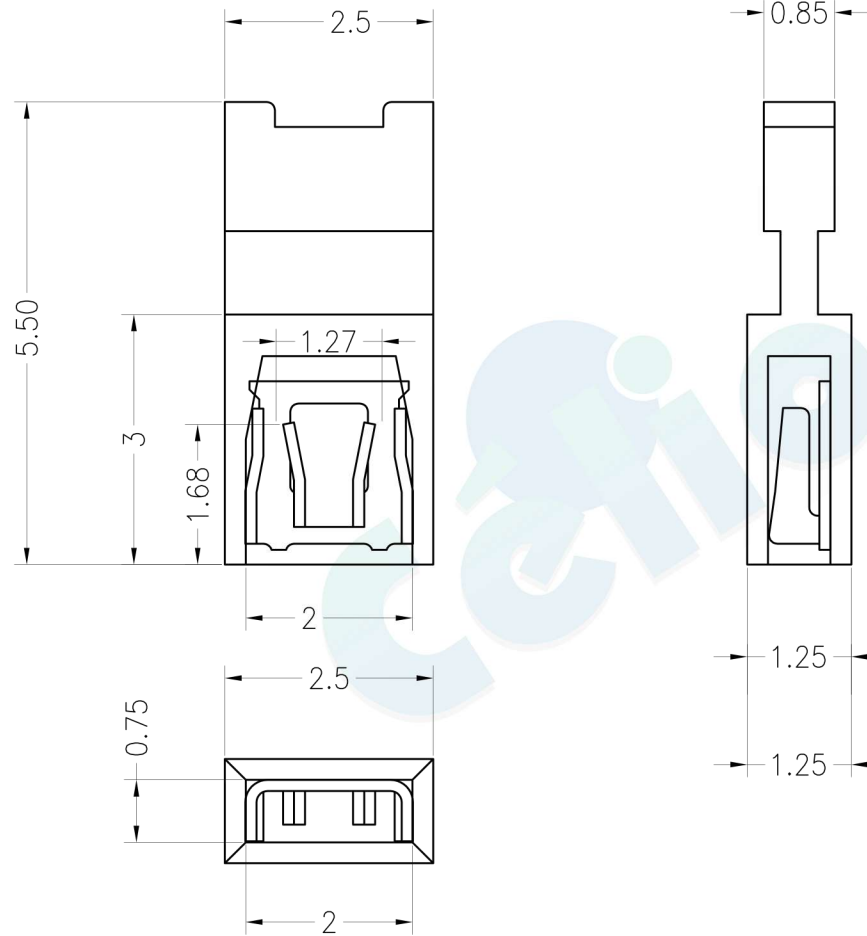
3. Number of pins (1 = Single type)

4. Contact plating

- A = 0.8U" Gold
- B = 1U" Gold
- C = 1.5U" Gold
- D = 2U" Gold
- E = 3U" Gold
- F = 5U" Gold
- G = Gold Flash/Ni
- H = Ni

5. Color type

- A = Black
- B = Blue
- C = Red
- D = White
- E = Yellow



				OPERATION		DRAW	BEN	12.04.18	SCALE	FIT
				X.X	±0.30					
				X.XX	±0.20	CHECK			SIZE	A4
				X.XXX	±0.10				SHEET	1/1
A0	2012.04.18	NEW DRAWING		Angle	±3°	APPROVE			PROJ.	◆
REV	DATE	MODIFICATION DESCRIPTION		DIM	TOL					



PART NO.	3814X1 - XXO
TITLE:	1.27 Mini Jumper 1Port