

MINI JUMPER OPEN TYPE

3811 SERIES - 2.00MM



Specifications

- Rated current: 1.5AMP
- Contact resistance: 20mΩ max
- Withstand Voltage: 500V AC/DC
- Insulation resistance: 1000MΩ min
- Operation temperature: -40°C to +105°C
- Contact material: Brass
- Contact plating: Au Over Ni
- Insulator material: Polyester (UL94V-0)
- Standard: PBT
- Max. processing Temp: 180°C for 30-60 seconds
200°C for 10 seconds

Ordering Information

3811 X 1 - X X O 02

1 2 3 4 5

1. Connector Series

2. Plastics height

- A = 3.5mm

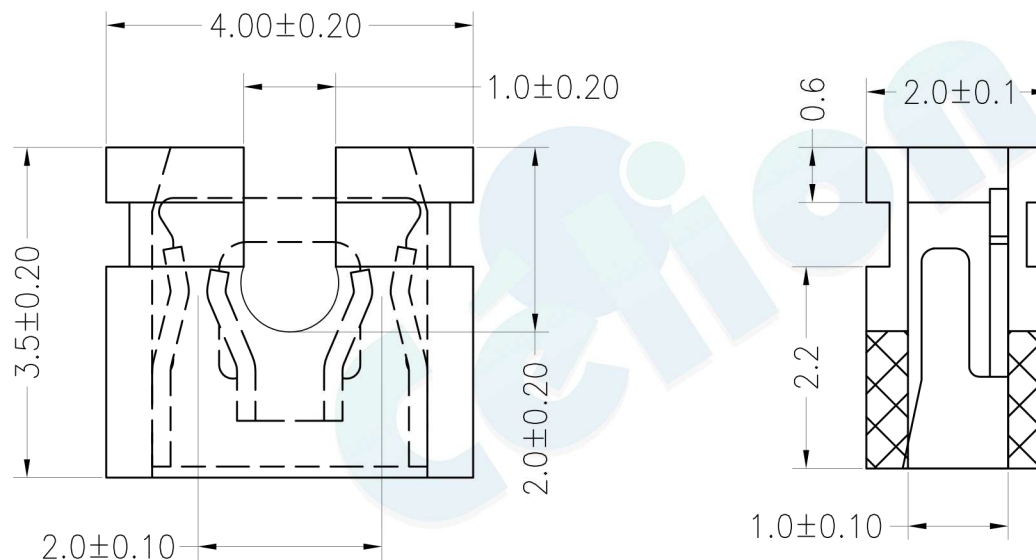
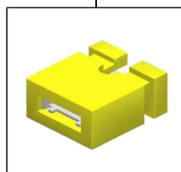
3. Number of pins (1 = Single type)

4. Contact plating

- A = 0.8U" Gold
- B = 1U" Gold
- C = 1.5U" Gold
- D = 2U" Gold
- E = 3U" Gold
- F = 5U" Gold
- G = Gold Flash/Ni
- H = Ni

5. Color type

- A = Black
- B = Blue
- C = Red
- D = White
- E = Yellow



				OPERATION		DRAW	BEN	12.04.18	SCALE	FIT			
				X.X	± 0.30				UNIT	mm			
				X.XX	± 0.20	CHECK	SIZE	A4	PART NO.	3811X1 - XXO 02			
				X.XXX	± 0.10		SHEET	1/1	TITLE:	2.00 Mini Jumper Open Type			
REV	DATE	MODIFICATION DESCRIPTION	CHANGE	Angle	$\pm 3'$	APPROVE		PROJ.					
1	2	3	4	DIM	TOL	5	6	7	8	9			