

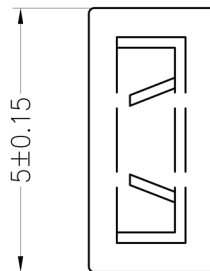
MINI JUMPER CLOSE TYPE

3810 SERIES - 2.54MM



Specifications

- Rated current: 3.0AMP
- Contact resistance: 20mΩ max
- Withstand Voltage: 1000V AC/DC
- Insulation resistance: 1000MΩ min
- Operation temperature: -40°C to +105°C
- Contact material: Brass
- Contact plating: Au Over Ni
- Insulator material: Polyester (UL94V-0)
- Standard: PBT
- Max. processing Temp: 180°C for 30-60 seconds
200°C for 10 seconds



Ordering Information

3810 X 1 - X X C 01

1 2 3 4 5

1. Connector Series

2. Plastics height

- A = 4.5mm
- B = 6.0mm
- B = 8.0mm
- C = 8.5mm

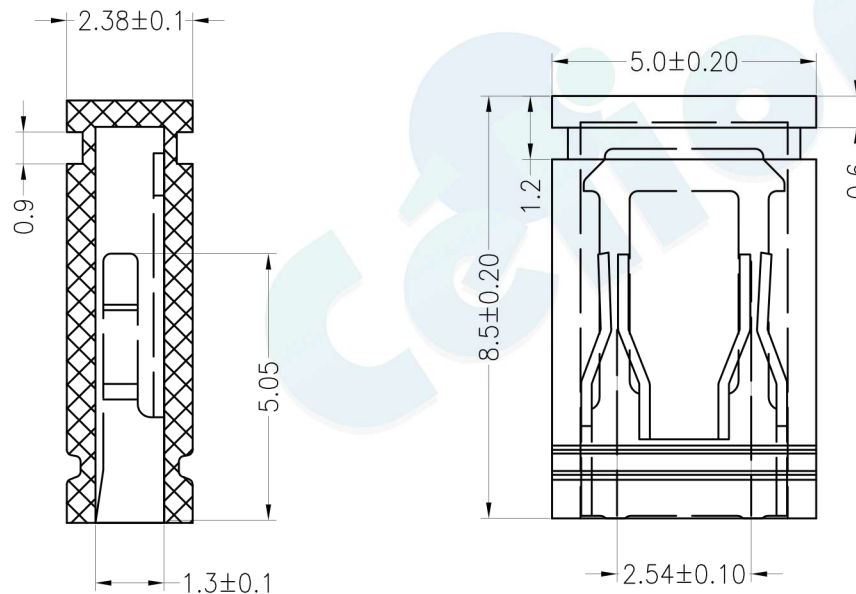
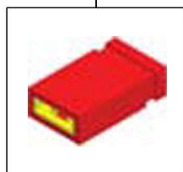
3. Number of pins (1 = Single type)

4. Contact plating

- A = Gold
- B = Gold/Ni
- C = Ni

5. Color type

- A = Black
- B = Blue
- C = Red
- D = White
- E = Yellow



				OPERATION		DRAW	BEN	12.04.18	SCALE	FIT	votre partenaire en électronique PART NO. 3810X1 - XXC 01 TITLE: 2.54 Mini Jumper H8.5 1*2Pin Close Type		
				X.X	±0.30				UNIT	mm			
				X.XX	±0.20	CHECK	SIZE	A4					
				X.XXX	±0.10	APPROVE	SHEET	1/1					
A0	2012.04.18	NEW DRAWING			Angle	±3°			PROJ.	◆			
REV	DATE	MODIFICATION DESCRIPTION	CHANGE	DIM	TOL								