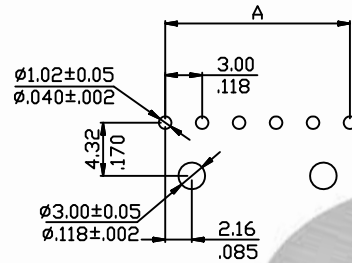
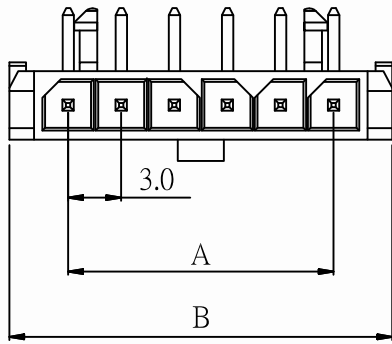
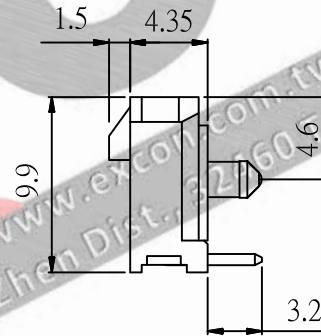
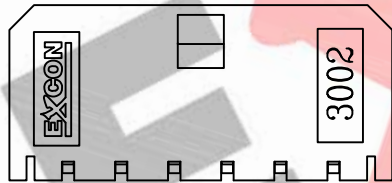
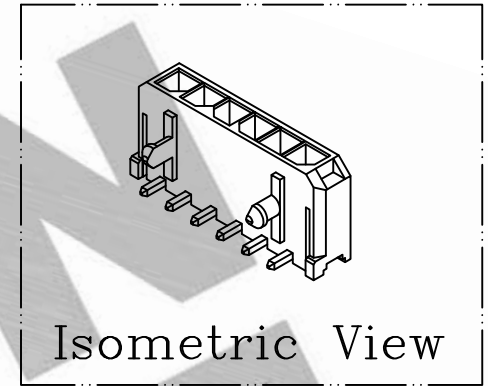


PART NO. 3002xxWR003  
 DWG NO. C3002WR



**RECOMMENDED PCB LAYOUT**  
 (PCB T=1.0~1.6mm)  
 (PCB T=.039~.063in)



Dimensional & Ordering Information:

Part No.		Circuits	Dim A	Dim B
LCP UL94V0	NY66 UL94V0			
300202WR103	300202WR003	2	3.0	9.65
300203WR103	300203WR003	3	6.0	12.65
300204WR103	300204WR003	4	9.0	15.65
300205WR103	300205WR003	5	12.0	18.65
300206WR103	300206WR003	6	15.0	21.65
300207WR103	300207WR003	7	18.0	24.65
300208WR103	300208WR003	8	21.0	27.65
300209WR103	300209WR003	9	24.0	30.65
300210WR103	300210WR003	10	27.0	33.65
300211WR103	300211WR003	11	30.0	36.65
300212WR103	300212WR003	12	33.0	39.65

NOTE:

1. Wafer Material: See table  
Pin/Pos Material: Brass bronze
2. Plated: Tin-plated 50u"min.
3. Current rating: 5A AC/DC.
4. Voltage rating: 250V AC/DC
5. Insulation resistance: 1000MΩ min.
6. Withstand voltage: 1500V AC/minute.
7. Color : Black

				UNLESS OTHERWISE SPECIFIED TOLERANCES		 <b>EXCON TECHNOLOGY COMPANY</b>	
				3 PLACE ±0.5 ±0.10			
A DWG RELEASE				Christy	11/10		
REV. REVISIONI				DIS	DATE		
SCALE	REV.	PAGE:	UNIT	MM		DWG NO:	PART.NO
2/1	A	1/1	THIRD ANGLE	PROJECTION		C3002WR	3002xxWR003