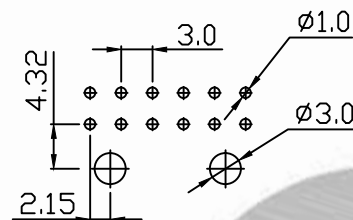
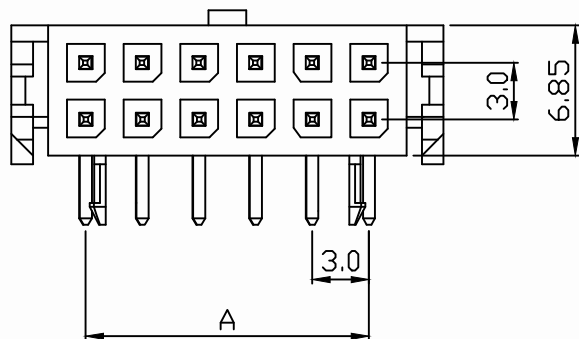
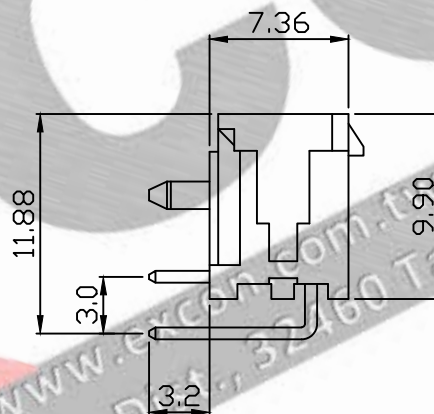
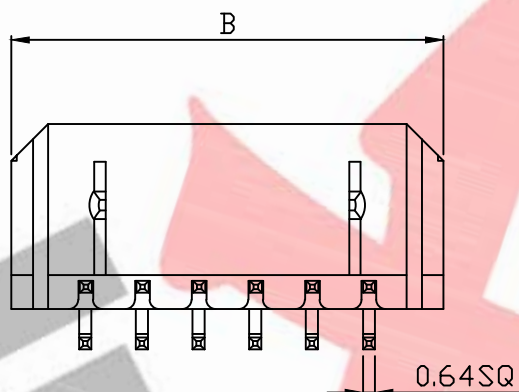
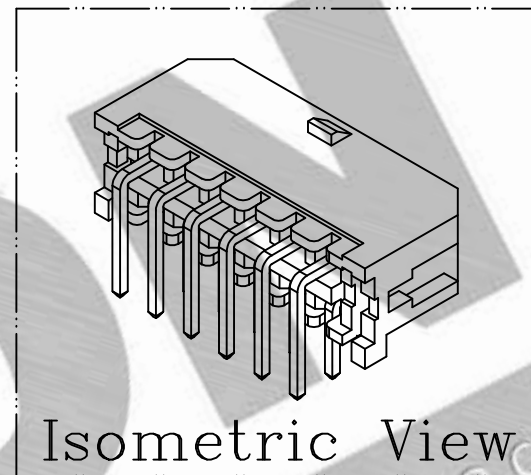


PART NO. 3001xxWR003  
 DWG NO. C3001WR



RECOMMENDED PCB LAYOUT  
 (PCB T=1.0~1.6mm)  
 (PCB T=.039~.063mm)



Dimensional & Ordering Information:

Part No.		Circuits	Dim A	Dim B
NY 46	NY 66			
300102WR103	300102WR003	2	--	6.65
300104WR103	300104WR003	4	3.0	9.65
300106WR103	300106WR003	6	6.0	12.65
300108WR103	300108WR003	8	9.0	15.65
300110WR103	300110WR003	10	12.0	18.65
300112WR103	300112WR003	12	15.0	21.65
300114WR103	300114WR003	14	18.0	24.65
300116WR103	300116WR003	16	21.0	27.65
300118WR103	300118WR003	18	24.0	30.65
300120WR103	300120WR003	20	27.0	33.65
300122WR103	300122WR003	22	30.0	36.65
300124WR103	300124WR003	24	33.0	39.65

NOTE:

1. Wafer Material: NY66 or NY46 UL94V0  
Pin/Pos Material: Brass bronze.
2. Plated: Tin-plated 50u"min.
3. Current rating: 5A AC/DC.
4. Voltage rating: 250V AC/DC
5. Insulation resistance: 1000MΩ min.
6. Withstand voltage: 1500V AC/minute.
7. Color : Black

REV.	REVISIONI		DIS	DATE
SCALE	REV.	PAGE:	UNIT mm	
4/1	B	1/1	THIRD ANGLE PROJECTION	

UNLESS OTHERWISE SPECIFIED TOLERANCES  
 3 PLACE ±0.5 ±0.10  
 2 PLACE ±1.5 ±0.25  
 1 PLACE ±2.0 ±0.50  
 ANGLE DIM

**EXCON**  
 EXCON TECHNOLOGY COMPANY

DWG NO:	C3001WR	PART.NO	3001xxWR003
---------	---------	---------	-------------